

ROECO

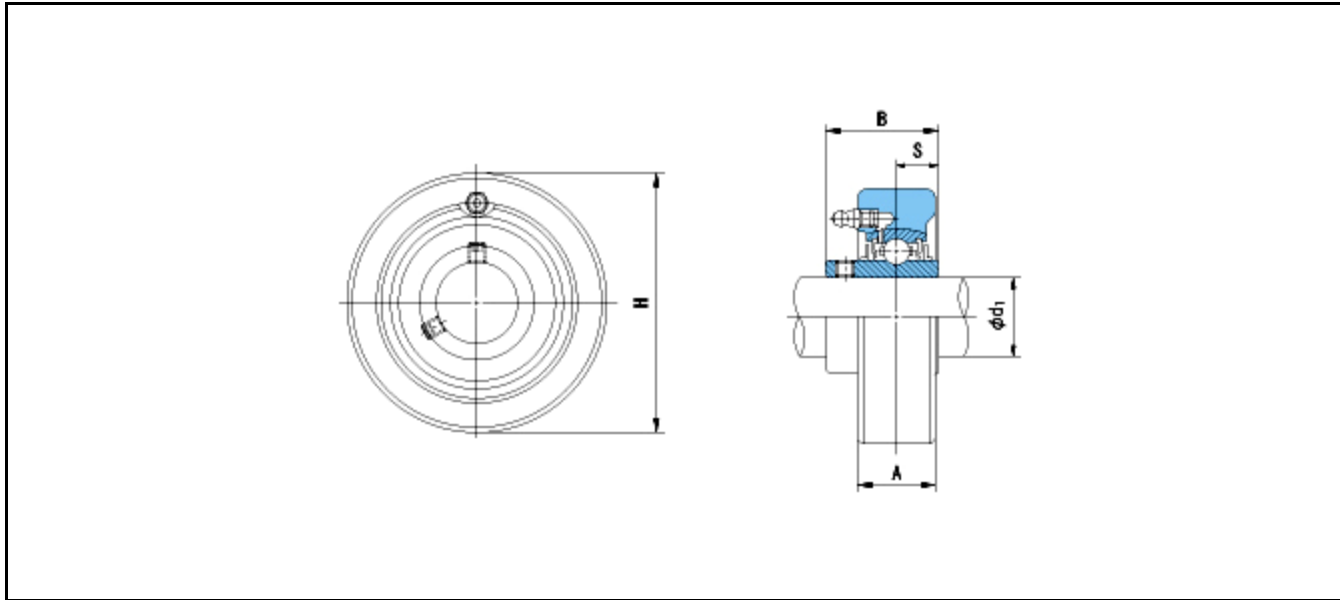
Bearing Data

Ball Bearing Units

Bearing No. : **UCC208**

Dimensions

H = 100



Dimensions

d1 = 40

A = 30

B = 49.2

S = 19

Mass = 1.2 kg

Basic Dynamic Load Rating Cr :	29300 N			INNER RING	OUTER RING
Basic Static Load Rating Cor :	17900 N	O.D.Surface Runout with Side :			-
Limiting Speed ;		Axial Runout with Bore :		-	
Grease Lubrication :	- rpm	Axial Runout with Raceway :		-	-
Oil Lubrication :	- rpm	Width Variation :		-	-
		Radial Runout :		-	-