

ROECO

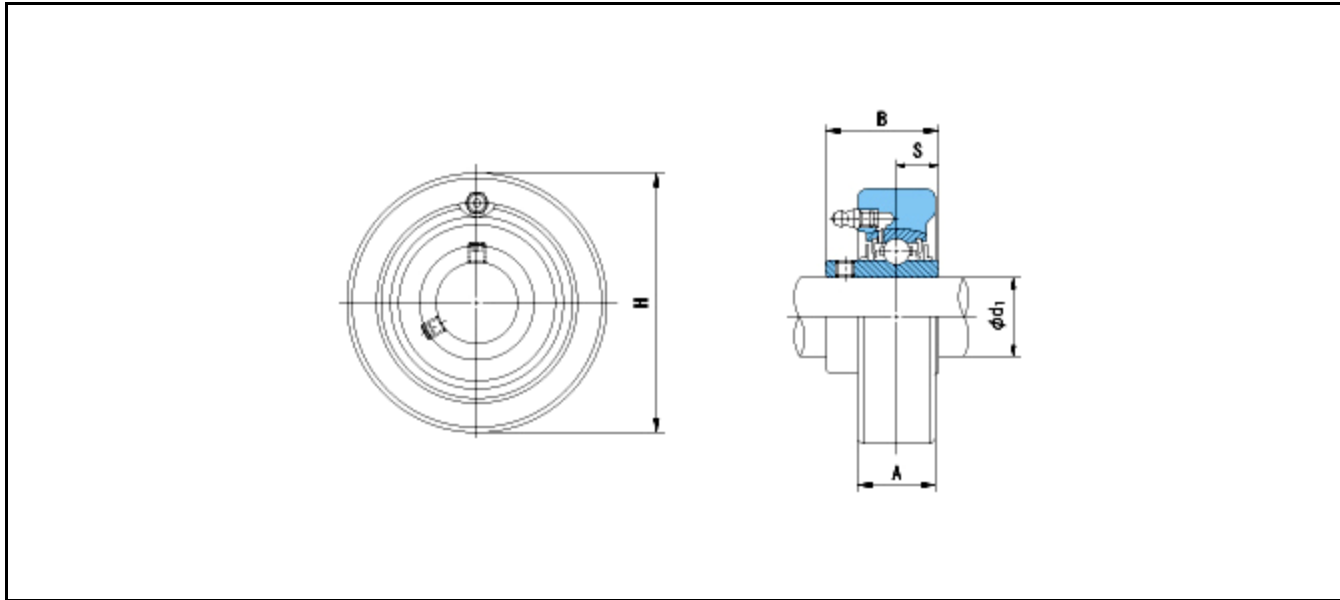
Bearing Data

Ball Bearing Units

Bearing No. : **UCC205**

Dimensions

H = 80



Dimensions

d1 = 25

A = 22

B = 34

S = 14.3

Mass = 0.65 kg

Basic Dynamic Load Rating Cr :	14000 N			
Basic Static Load Rating Cor :	7900 N	O.D.Surface Runout with Side :		-
Limiting Speed ;		Axial Runout with Bore :	-	
Grease Lubrication :	- rpm	Axial Runout with Raceway :	-	-
Oil Lubrication :	- rpm	Width Variation :	-	-
		Radial Runout :	-	-