

ROECO

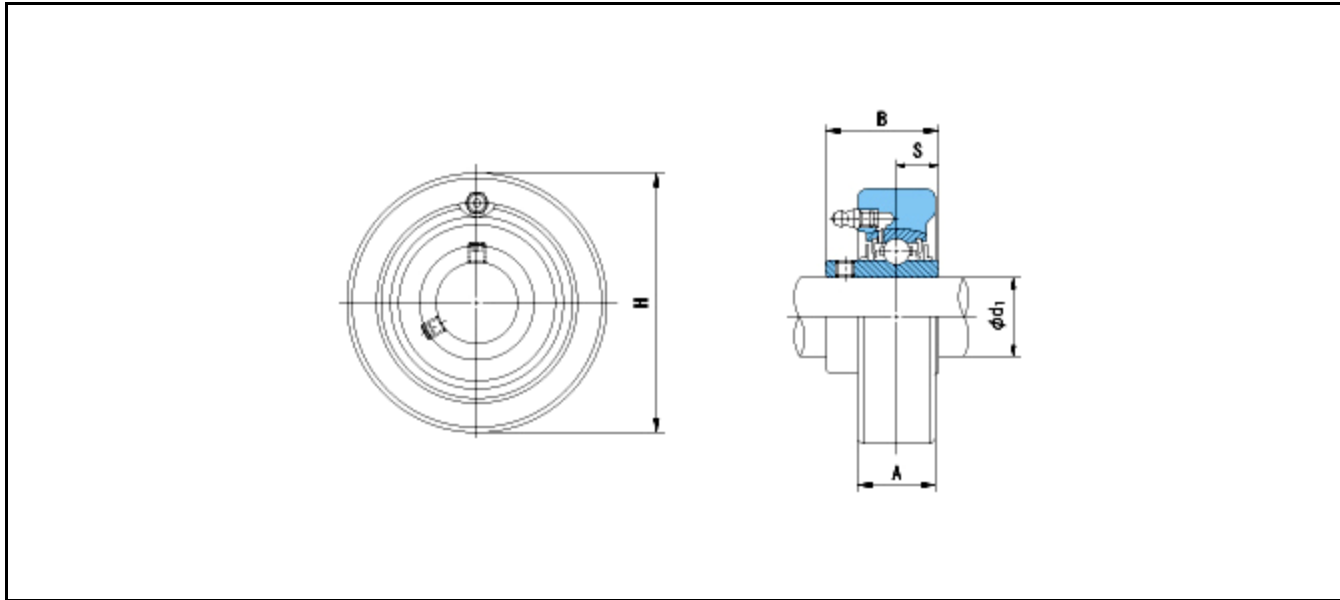
# Bearing Data

## Ball Bearing Units

Bearing No. : **UCC204**

Dimensions

H = 72



Dimensions

d1 = 20

A = 20

B = 31

S = 12.7

Mass = 0.49 kg

Basic Dynamic Load Rating Cr :	<b>12800 N</b>			<b>INNER RING</b>	<b>OUTER RING</b>
Basic Static Load Rating Cor :	<b>6600 N</b>	O.D.Surface Runout with Side :			-
		Axial Runout with Bore :		-	
Limiting Speed ;		Axial Runout with Raceway :		-	-
Grease Lubrication :	- rpm	Width Variation :		-	-
Oil Lubrication :	- rpm	Radial Runout :		-	-