

ROECO

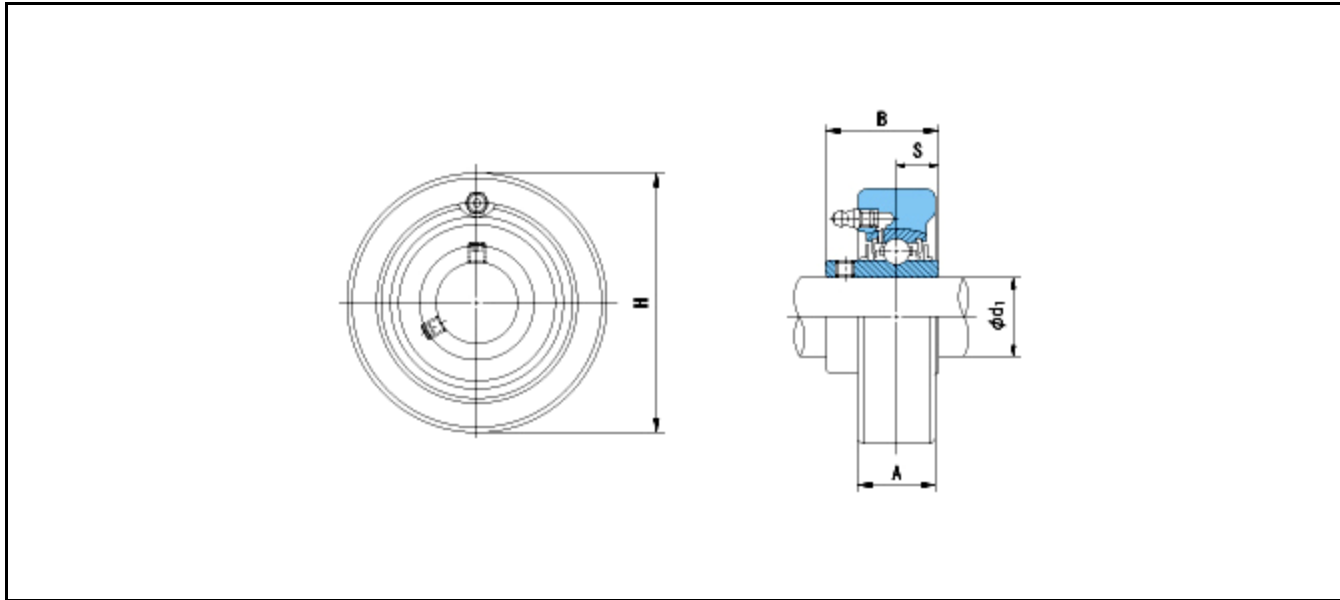
Bearing Data

Ball Bearing Units

Bearing No. : **UCC202**

Dimensions

H = 72



Dimensions

d1 = 15

A = 20

B = 31

S = 12.7

Mass = 0.52 kg

| | | | |
|--------------------------------|----------------|---------------------------------|---|
| Basic Dynamic Load Rating Cr : | 12800 N | INNER RING OUTER RING | |
| Basic Static Load Rating Cor : | 6600 N | O.D.Surface Runout with Side : | - |
| Limiting Speed ; | | Axial Runout with Bore : | - |
| Grease Lubrication : | - rpm | Axial Runout with Raceway : | - |
| Oil Lubrication : | - rpm | Width Variation : | - |
| | | Radial Runout : | - |