

ROECO

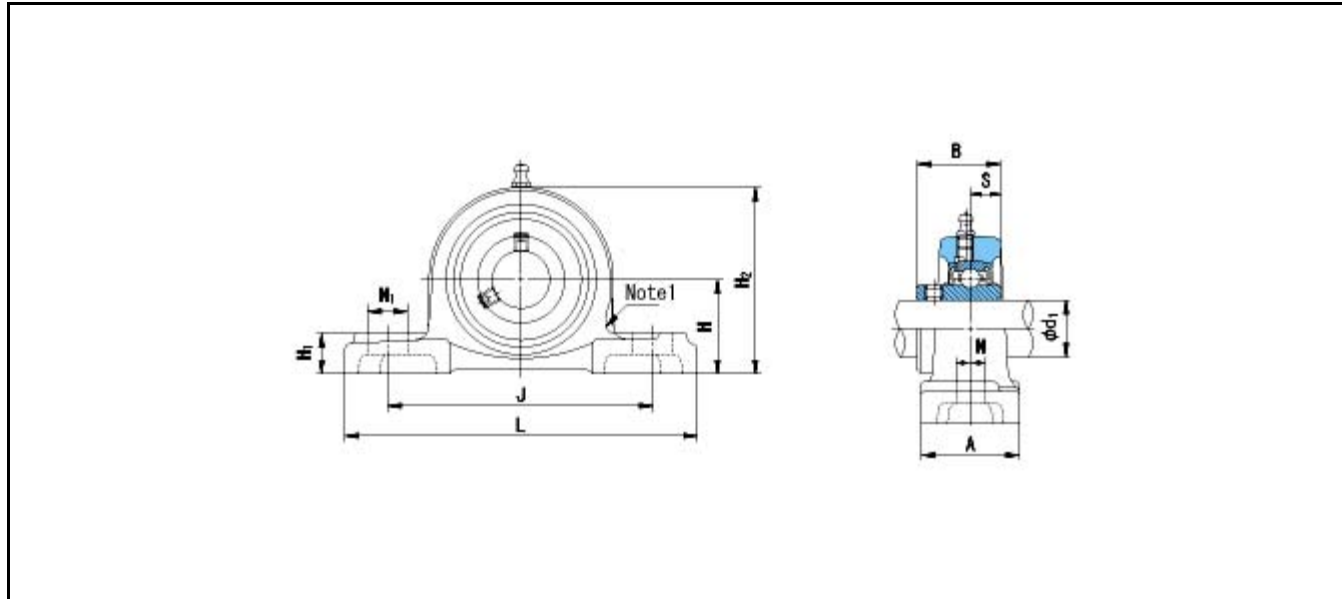
# Bearing Data

## Ball Bearing Units

Bearing No. : **TUCP208**

Dimensions

H = 49.2  
L = 184  
J = 137  
N1 = 18  
H1 = 19,5  
H2 = 99



Dimensions

d1 = 40  
A = 54  
N = 14  
B = 49.2  
S = 19  
Mass = 1,95 kg

Basic Dynamic Load Rating Cr :	<b>24900 N</b>		<b>INNER RING</b>	<b>OUTER RING</b>
Basic Static Load Rating Cor :	<b>14300 N</b>	O.D.Surface Runout with Side :	-	-
Limiting Speed ;		Axial Runout with Bore :	-	-
Grease Lubrication :	- rpm	Axial Runout with Raceway :	-	-
Oil Lubrication :	- rpm	Width Variation :	-	-
		Radial Runout :	-	-