

ROECO

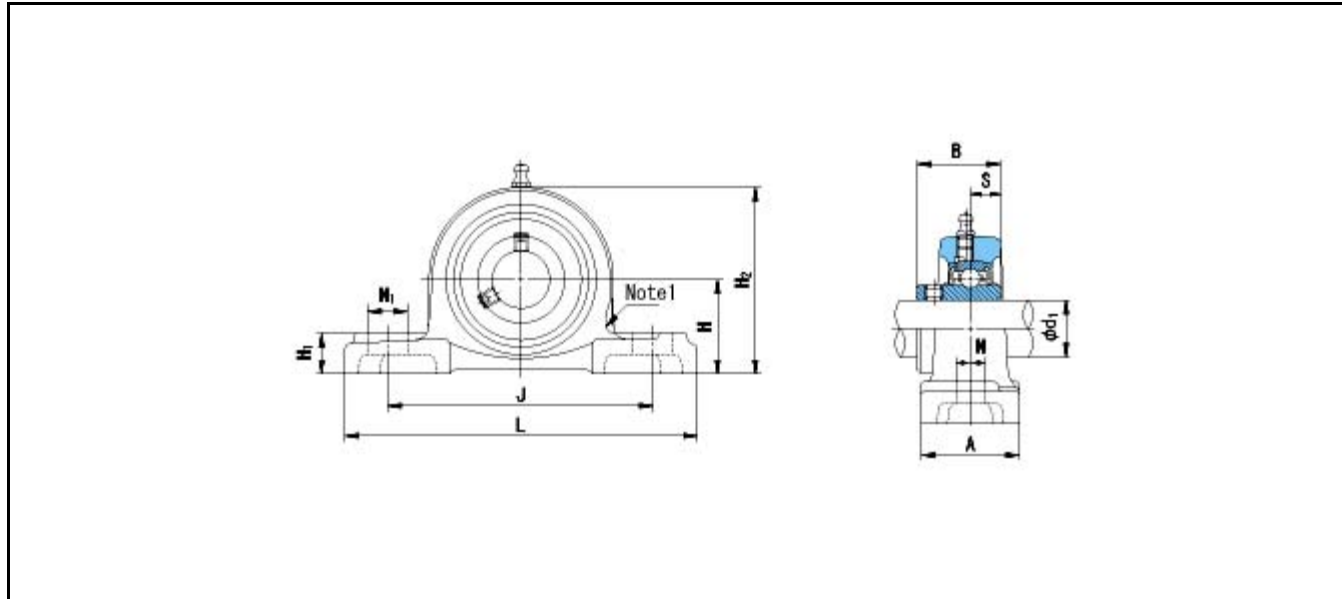
Bearing Data

Ball Bearing Units

Bearing No. : **TUCP207**

Dimensions

H = 47.6
L = 168
J = 127
N1 = 18
H1 = 18
H2 = 94,5



Dimensions

d1 = 35
A = 48
N = 14
B = 42.9
S = 17.5
Mass = 1.73 kg

Basic Dynamic Load Rating Cr :	22000 N		INNER RING	OUTER RING
Basic Static Load Rating Cor :	12300 N	O.D.Surface Runout with Side :	-	-
Limiting Speed ;		Axial Runout with Bore :	-	-
Grease Lubrication :	- rpm	Axial Runout with Raceway :	-	-
Oil Lubrication :	- rpm	Width Variation :	-	-
		Radial Runout :	-	-