

ROECO

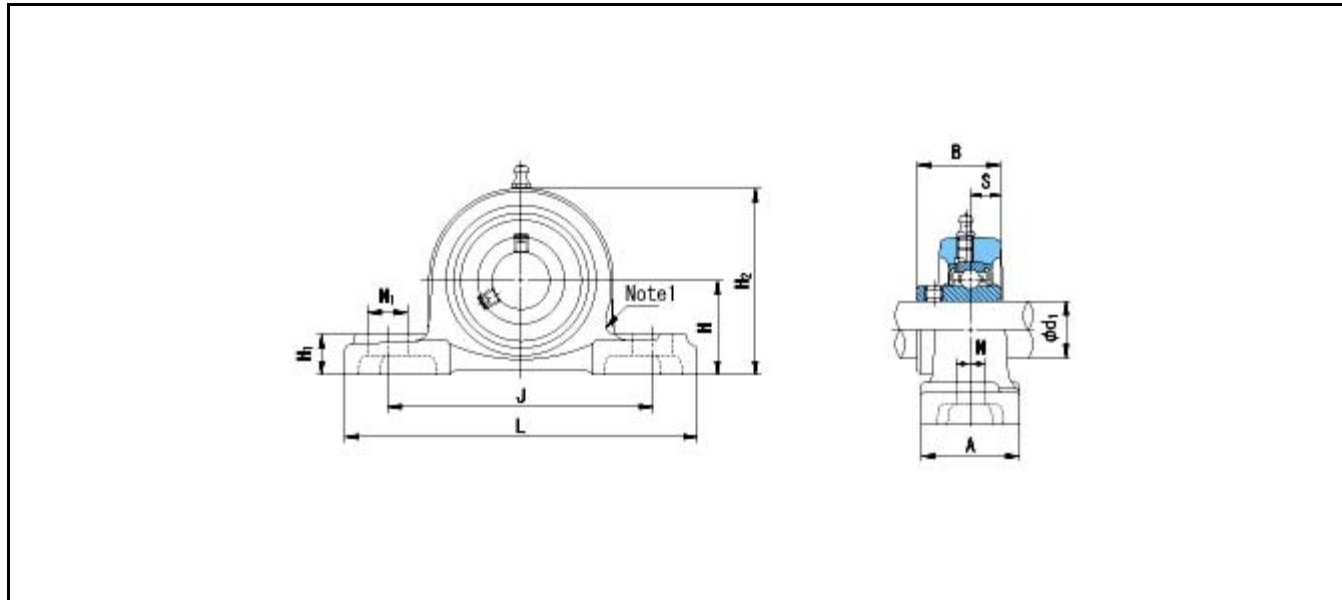
Bearing Data

Ball Bearing Units

Bearing No. : TUCP206

Dimensions

H = 42,9
L = 163
J = 119
N1 = 18
H1 = 17,8
H2 = 84



Dimensions

d1 = 30
A = 46
N = 14
B = 38,1
S = 15,9
Mass = 0.52 kg

Basic Dynamic Load Rating Cr :	16700 N	INNER RING	OUTER RING
Basic Static Load Rating Cor :	9000 N	O.D.Surface Runout with Side :	-
Limiting Speed ;		Axial Runout with Bore :	-
Grease Lubrication :	- rpm	Axial Runout with Raceway :	-
Oil Lubrication :	- rpm	Width Variation :	-
		Radial Runout :	-