

ROECO

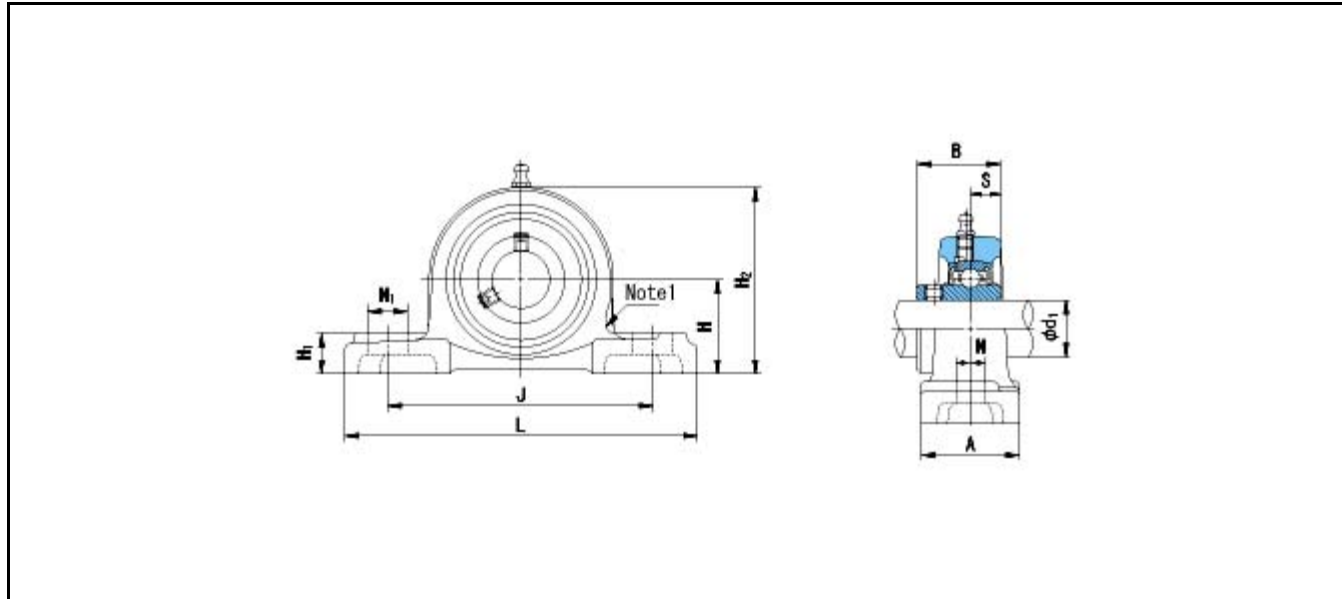
Bearing Data

Ball Bearing Units

Bearing No. : **TUCP205**

Dimensions

H = 36.5
L = 140,5
J = 105
N1 = 14
H1 = 14,5
H2 = 71



Dimensions

d1 = 25
A = 38
N = 11
B = 34,1
S = 14.3
Mass = 0.33 kg

Basic Dynamic Load Rating Cr :	11900 N	INNER RING	OUTER RING
Basic Static Load Rating Cor :	6300 N	O.D.Surface Runout with Side :	-
Limiting Speed ;		Axial Runout with Bore :	-
Grease Lubrication :	- rpm	Axial Runout with Raceway :	-
Oil Lubrication :	- rpm	Width Variation :	-
		Radial Runout :	-