

ROECO

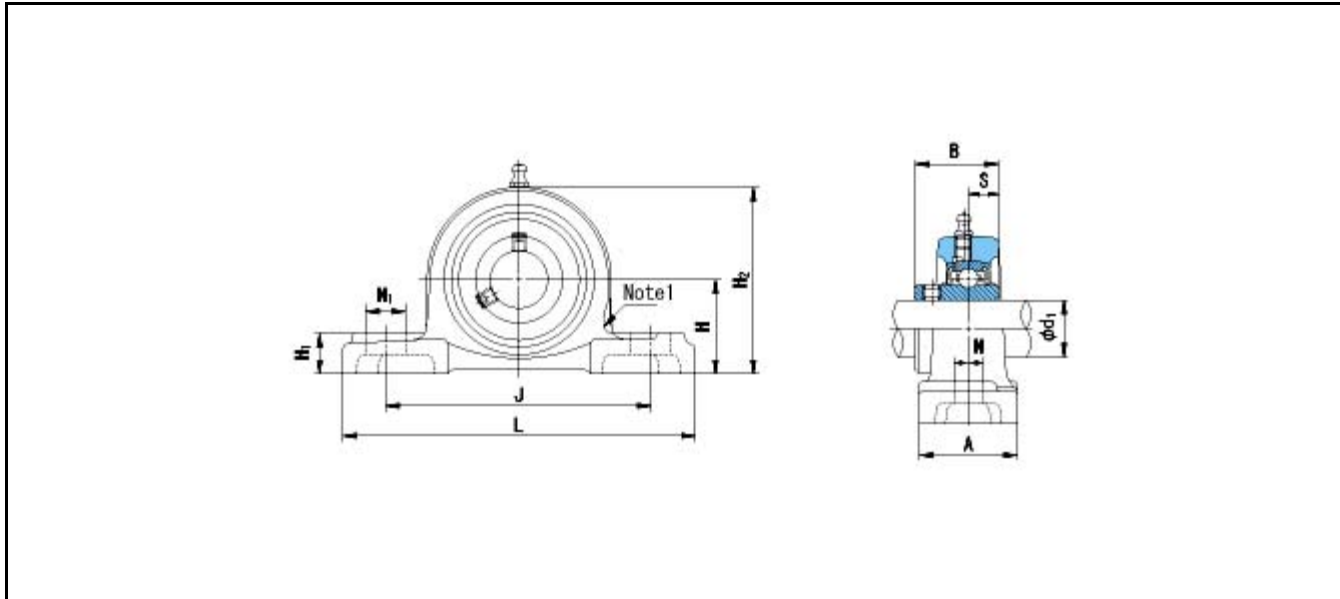
# Bearing Data

## Ball Bearing Units

Bearing No. : **TUCP204**

Dimensions

H = 33.3  
L = 127  
J = 95  
N1 = 11  
H1 = 14,2  
H2 = 65,5



Dimensions

d1 = 20  
A = 38  
N = 11  
B = 31  
S = 12.7  
Mass = 0.28 kg

Basic Dynamic Load Rating Cr :	<b>10900 N</b>		<b>INNER RING</b>	<b>OUTER RING</b>
Basic Static Load Rating Cor :	<b>5300 N</b>	O.D.Surface Runout with Side :	-	-
Limiting Speed ;		Axial Runout with Bore :	-	-
Grease Lubrication :	- rpm	Axial Runout with Raceway :	-	-
Oil Lubrication :	- rpm	Width Variation :	-	-
		Radial Runout :	-	-