

ROECO

Bearing Data

Ball Bearing Units

Bearing No. : TUCFL208

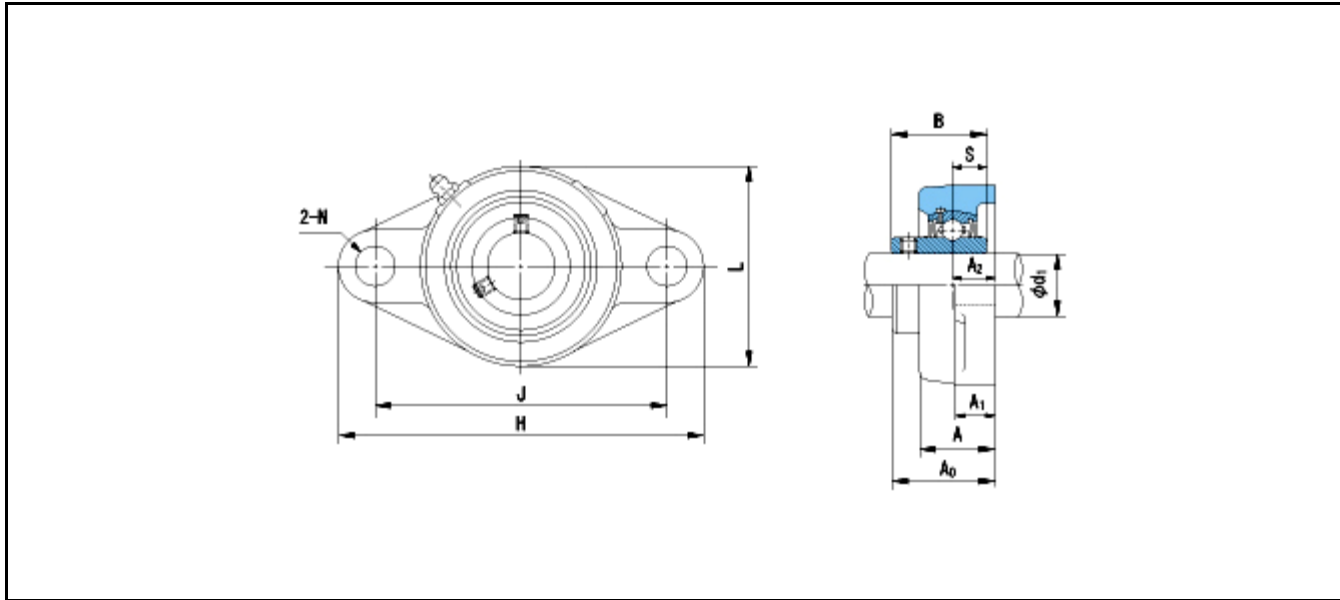
Dimensions

H = 176

L = 100

J = 144

N = 14



Dimensions

d1 = 40

A1 = 20

A2 = 21,5

A = 37,5

A0 = 51.7

B = 49.2

S = 19

Mass = 0.87 kg

Basic Dynamic Load Rating Cr :	24900 N		
Basic Static Load Rating Cor :	14300 N		
Limiting Speed ;			
Grease Lubrication :	- rpm		
Oil Lubrication :	- rpm		
		INNER RING	OUTER RING
		O.D.Surface Runout with Side :	-
		Axial Runout with Bore :	-
		Axial Runout with Raceway :	-
		Width Variation :	-
		Radial Runout :	-