

ROECO

Bearing Data

Ball Bearing Units

Bearing No. : **TUCFL207**

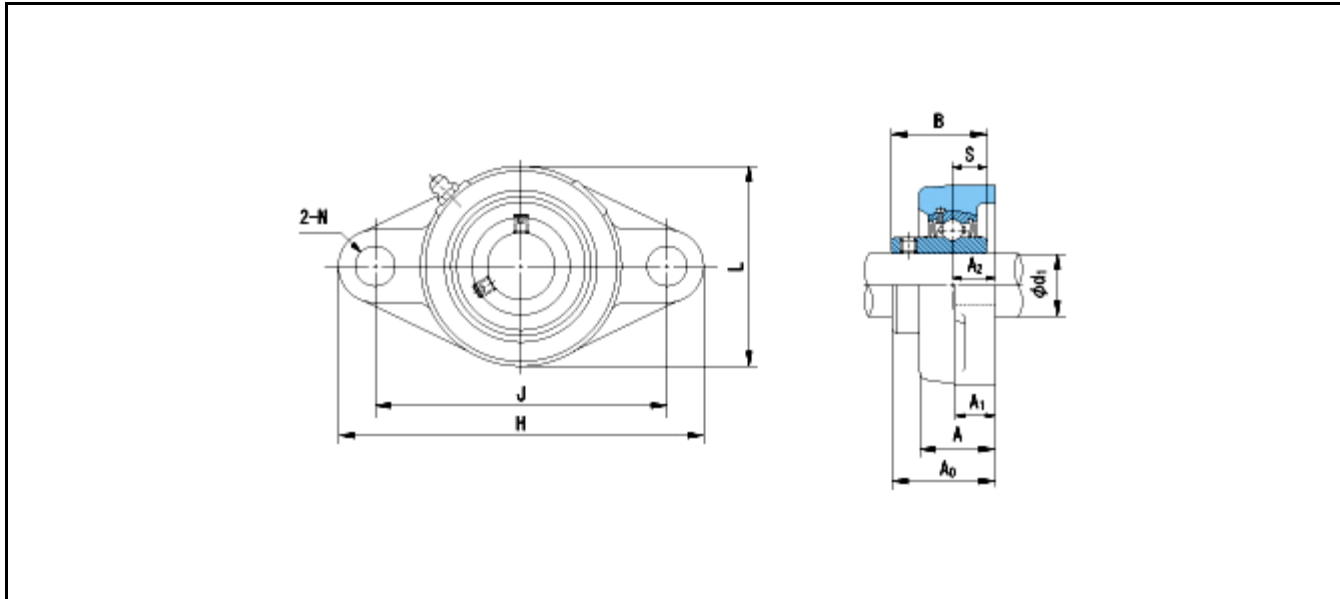
Dimensions

H = 164

L = 90

J = 130

N = 13



Dimensions

d1 = 35

A1 = 16,1

A2 = 19

A = 32,8

A0 = 43.4

B = 42.9

S = 17.5

Mass = 0,65 kg

Basic Dynamic Load Rating Cr :	22000 N		INNER RING	OUTER RING
Basic Static Load Rating Cor :	12300 N	O.D.Surface Runout with Side :	-	-
Limiting Speed ;		Axial Runout with Bore :	-	-
Grease Lubrication :	- rpm	Axial Runout with Raceway :	-	-
Oil Lubrication :	- rpm	Width Variation :	-	-
		Radial Runout :	-	-