

ROECO

Bearing Data

Ball Bearing Units

Bearing No. : TUCFL206

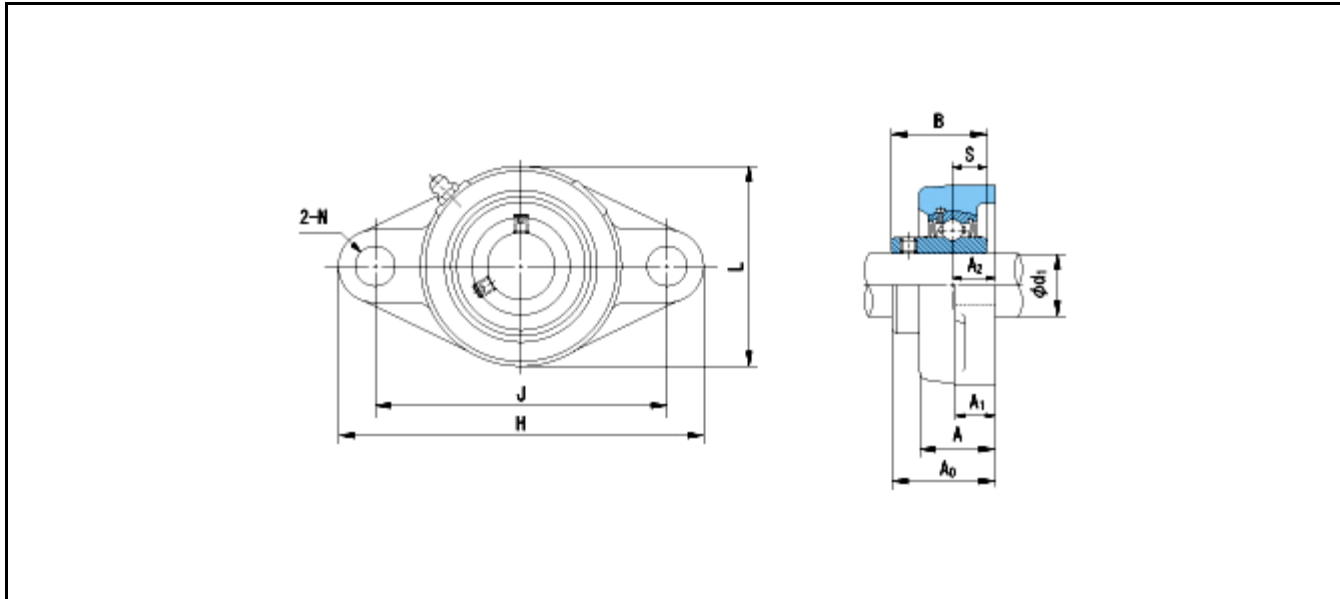
Dimensions

H = 148

L = 80

J = 117

N = 11



Dimensions

d1 = 30

A1 = 13,3

A2 = 18

A = 30,5

A0 = 41.2

B = 38.1

S = 15.9

Mass = 0.44 kg

Basic Dynamic Load Rating Cr : **16700 N**

Basic Static Load Rating Cor : **9000 N**

Limiting Speed ;

Grease Lubrication : - rpm

Oil Lubrication : - rpm

INNER RING OUTER RING

O.D.Surface Runout with Side : -

Axial Runout with Bore : -

Axial Runout with Raceway : -

Width Variation : -

Radial Runout : -