

ROECO

Bearing Data

Ball Bearing Units

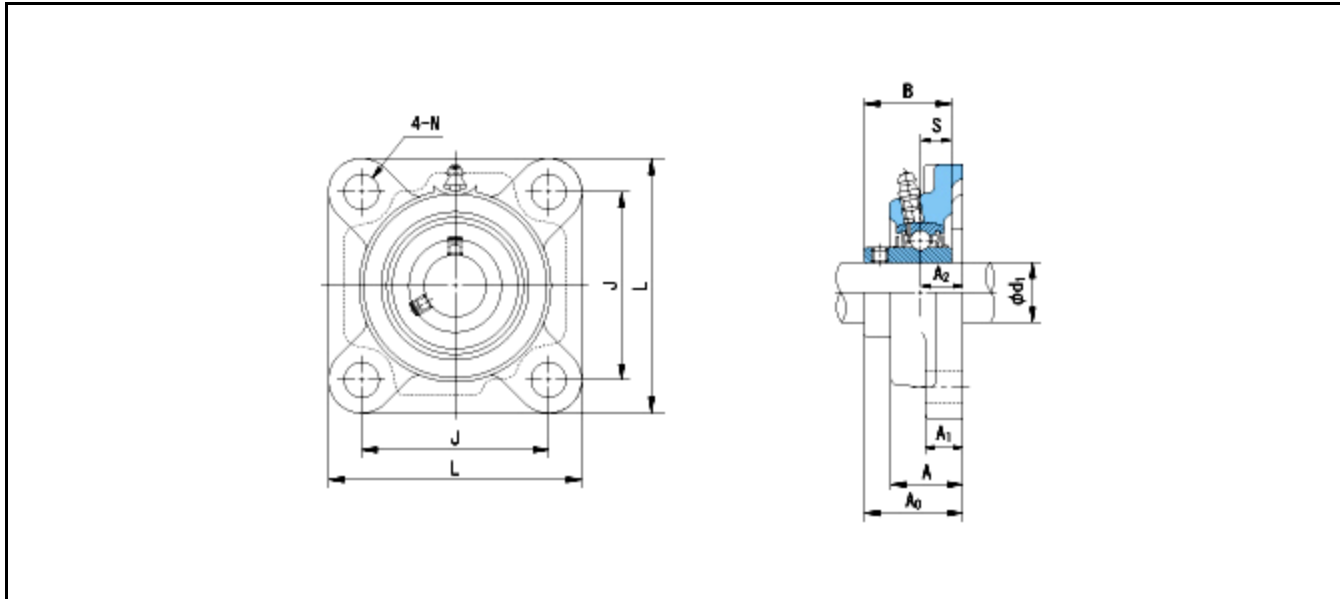
Bearing No. : **TUCF208**

Dimensions

L = 130

J = 102

N = 14



Dimensions

d1 = 40

A1 = 17

A2 = 23

B = 49.2

S = 19

A = 37,5

A0 = 53.2

Mass = 1,95 kg

Basic Dynamic Load Rating Cr :	29300 N	INNER RING	OUTER RING
Basic Static Load Rating Cor :	17900 N	O.D.Surface Runout with Side :	-
Limiting Speed ;		Axial Runout with Bore :	-
Grease Lubrication :	- rpm	Axial Runout with Raceway :	-
Oil Lubrication :	- rpm	Width Variation :	-
		Radial Runout :	-