

ROECO

Bearing Data

Ball Bearing Units

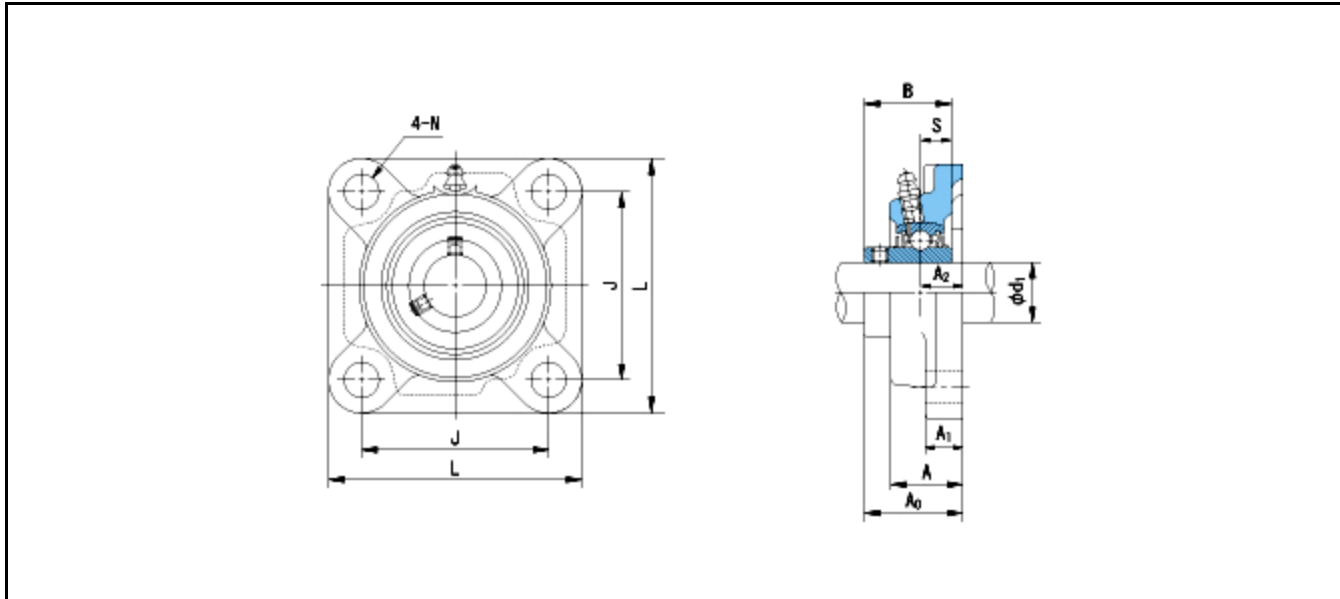
Bearing No. : **TUCF206**

Dimensions

L = 107

J = 83

N = 11



Dimensions

d1 = 30

A1 = 14,3

A2 = 19,2

B = 38.1

S = 15.9

A = 31,5

A0 = 41,4

Mass = 0,52 kg

Basic Dynamic Load Rating Cr :	19600 N				
Basic Static Load Rating Cor :	11300 N	O.D.Surface Runout with Side :			-
Limiting Speed ;		Axial Runout with Bore :			-
Grease Lubrication :	- rpm	Axial Runout with Raceway :			-
Oil Lubrication :	- rpm	Width Variation :			-
		Radial Runout :			-