

ROECO

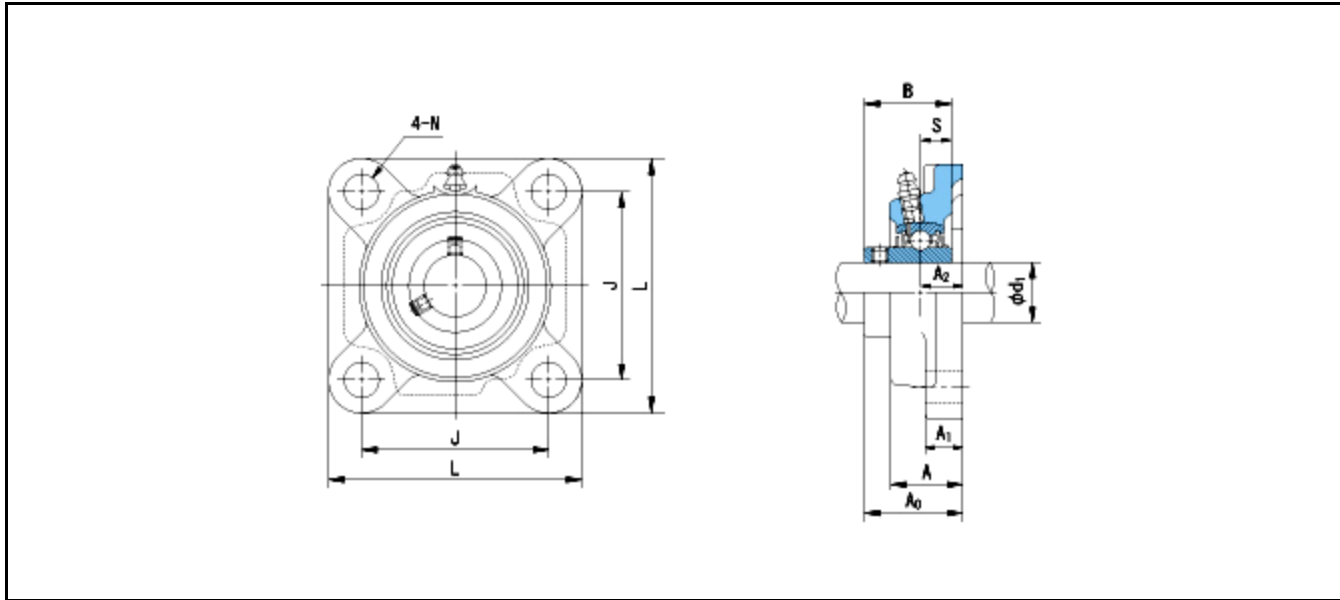
# Bearing Data

## Ball Bearing Units

Bearing No. : **TUCF204**

Dimensions

L = 86  
 J = 63,5  
 N = 11



Dimensions

d1 = 20  
 A1 = 13,4  
 A2 = 18  
 B = 31  
 S = 12,7  
 A = 27,8  
 A0 = 36.3  
 Mass = 0.28 kg

|                                       |                |                                       |                   |
|---------------------------------------|----------------|---------------------------------------|-------------------|
| <b>Basic Dynamic Load Rating Cr :</b> | <b>10900 N</b> |                                       |                   |
| <b>Basic Static Load Rating Cor :</b> | <b>5300 N</b>  |                                       |                   |
| <b>Limiting Speed ;</b>               |                |                                       |                   |
| <b>Grease Lubrication :</b>           | - rpm          |                                       |                   |
| <b>Oil Lubrication :</b>              | - rpm          |                                       |                   |
|                                       |                | <b>INNER RING</b>                     | <b>OUTER RING</b> |
|                                       |                | <b>O.D.Surface Runout with Side :</b> | -                 |
|                                       |                | <b>Axial Runout with Bore :</b>       | -                 |
|                                       |                | <b>Axial Runout with Raceway :</b>    | -                 |
|                                       |                | <b>Width Variation :</b>              | -                 |
|                                       |                | <b>Radial Runout :</b>                | -                 |