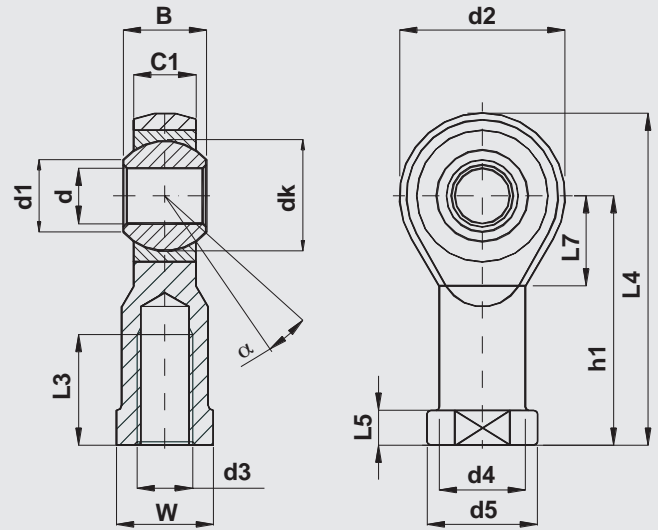


CF

DIN ISO 12240 - 4 Serie K thread ISO 8139 (Cetop) female thread

Coupling: steel on bronze self-lubricating



Body:

Up to dimension 12 automatic steel
From dimension 14 forged hardening steel
surface finish zinc plated and passivated

Outer race:

sintered bronze, self-lubricating impregnated with oil

Ball:

bearing steel, hardened, grinded and polished

Designation	Cylinder	d	d3	B	C1	d1	d2	d4	d5	dk	h1	L3	L4	L5	L7	W	max radial load Co.(daN)	α° angle \approx	weight \approx (kg)
		H7	6H																
CF5 M4	8-10	5	M4	8	6	7,7	18	9	11	11,11	27	10	36	4	10	9	600	13	0,02
CF6 M6	12-16	6	M6	9	6,75	8,9	20	10	13	12,7	30	12	40	5	11	11	700	13	0,025
CF8 M8	20	8	M8	12	9	10,4	24	12,5	16	15,87	36	16	48	5	13	14	1200	14	0,046
CF10 M10x1,25	25-32	10	M10x1,25	14	10,5	12,9	28	15	19	19,05	43	20	57	6,5	15	17	1400	13	0,075
CF12 M12x1,25	40-50	12	M12x1,25	16	12	15,4	32	17,5	22	22,22	50	22	66	6,5	17	19	1900	13	0,112
CF16 M16x1,5	50-63	16	M16x1,5	21	15	19,3	42	22	27	28,57	64	28	85	8	23	22	4800	15	0,222
CF20 M20x1,5	80-100	20	M20x1,5	25	18	24,3	50	27,5	34	34,92	77	33	102	10	27	30	5200	14	0,406
CF25 M24x2	125	25	M24x2	31	22	29,5	60	33,5	42	42,85	94	42	124	12	32	36	8500	15	0,650
CF30 M27x2	125	30	M27x2	37	25	34,8	70	40	50	50,8	110	51	145	15	36	41	10800	17	1,119
CF35 M36x2	160-200	35	M36x2	43*	28	37,7*	80	46,0*	58*	57,15	125	56	165	17,0*	41	50	12400	16	1,595

* not included in DIN ISO 12240-4
Technical reading from page 1 to page 7

Application: precision engineering

UP TO DATE SERIES