

ROECO

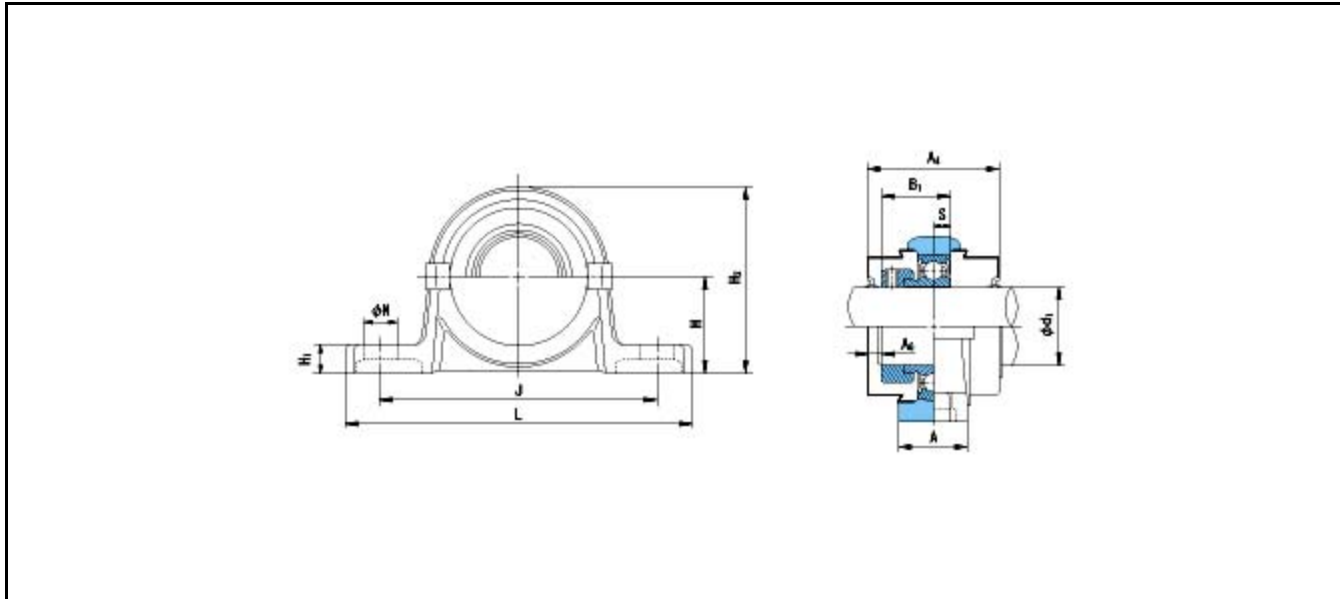
Bearing Data

Ball Bearing Units

Bearing No. : **MUP006E**

Dimensions

H = 36
L = 132
J = 106
N = 13
H1 = 11
H2 = 70



Dimensions

d1 = 30
A = 26
B1 = 26.5
S = 6.5
A4 = 50
A6 = 4
Mass = 480 g

| | | | | |
|--------------------------------|----------------|--------------------------------|--|---|
| Basic Dynamic Load Rating Cr : | 11300 N | | | |
| Basic Static Load Rating Cor : | 6600 N | O.D.Surface Runout with Side : | | - |
| Limiting Speed ; | | Axial Runout with Bore : | | - |
| Grease Lubrication : | - rpm | Axial Runout with Raceway : | | - |
| Oil Lubrication : | - rpm | Width Variation : | | - |
| | | Radial Runout : | | - |