

ROECO

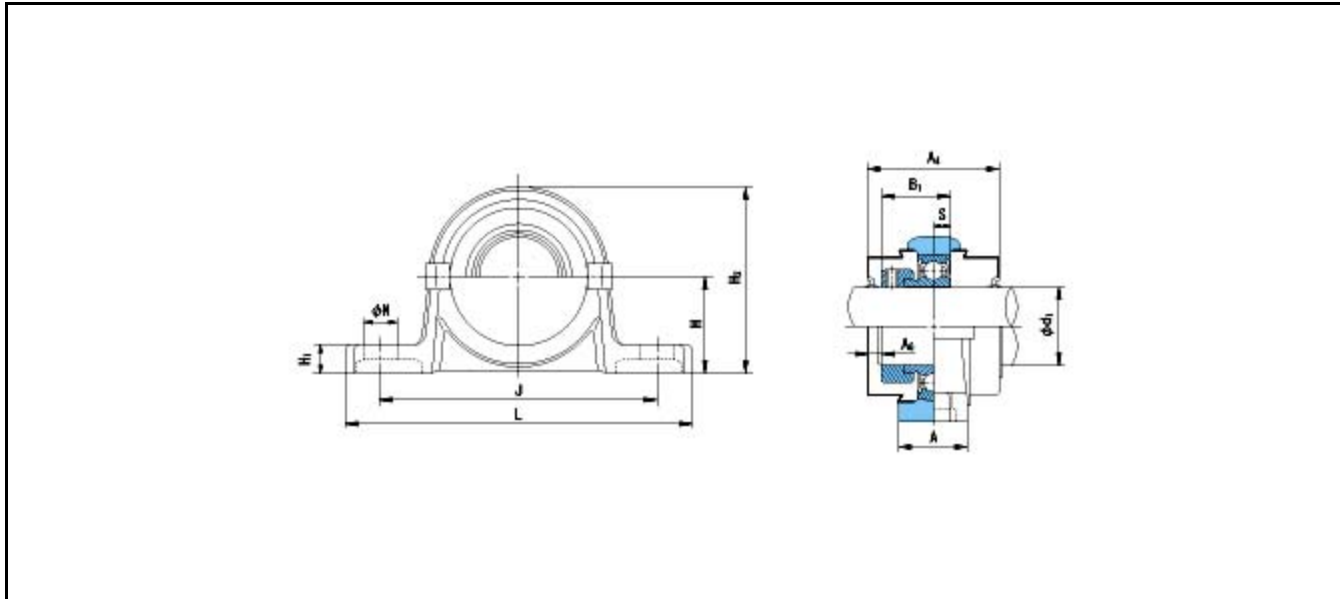
Bearing Data

Ball Bearing Units

Bearing No. : **MUP004E**

Dimensions

- H = 28
- L = 100
- J = 80
- N = 10
- H1 = 9
- H2 = 55



Dimensions

- d1 = 20
- A = 20
- B1 = 24.5
- S = 6
- A4 = 46
- A6 = 3
- Mass = 250 g

Basic Dynamic Load Rating Cr :	7900 N		INNER RING	OUTER RING
Basic Static Load Rating Cor :	4000 N	O.D.Surface Runout with Side :		-
Limiting Speed ;		Axial Runout with Bore :	-	-
		Axial Runout with Raceway :	-	-
Grease Lubrication :	- rpm	Width Variation :	-	-
Oil Lubrication :	- rpm	Radial Runout :	-	-