

ROECO

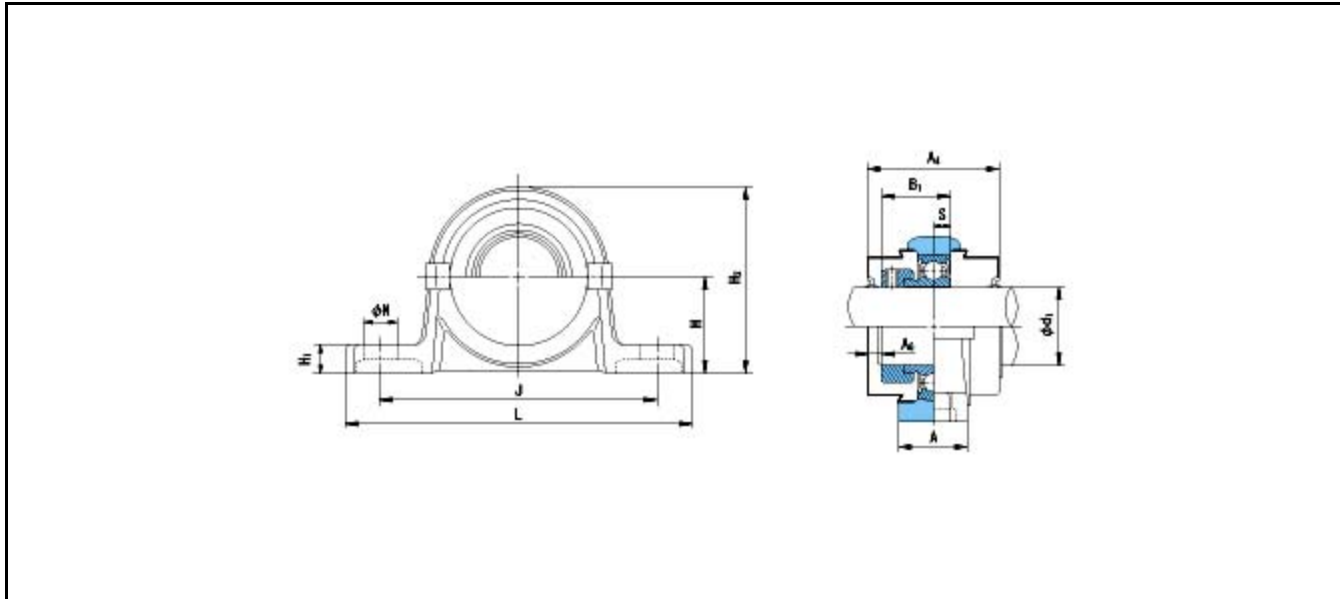
# Bearing Data

## Ball Bearing Units

Bearing No. : **MUP003C**

Dimensions

- H = 24
- L = 85
- J = 67
- N = 7
- H1 = 7
- H2 = 47



Dimensions

- d1 = 17
- A = 18
- B1 = 20.5
- S = 5
- A4 = 38
- A6 = 2
- Mass = 170 g

<b>Basic Dynamic Load Rating Cr :</b>	<b>5100 N</b>	<b>INNER RING</b>	<b>OUTER RING</b>
<b>Basic Static Load Rating Cor :</b>	<b>2650 N</b>	<b>O.D.Surface Runout with Side :</b>	-
<b>Limiting Speed ;</b>		<b>Axial Runout with Bore :</b>	-
<b>Grease Lubrication :</b>	- rpm	<b>Axial Runout with Raceway :</b>	-
<b>Oil Lubrication :</b>	- rpm	<b>Width Variation :</b>	-
		<b>Radial Runout :</b>	-