

ROECO

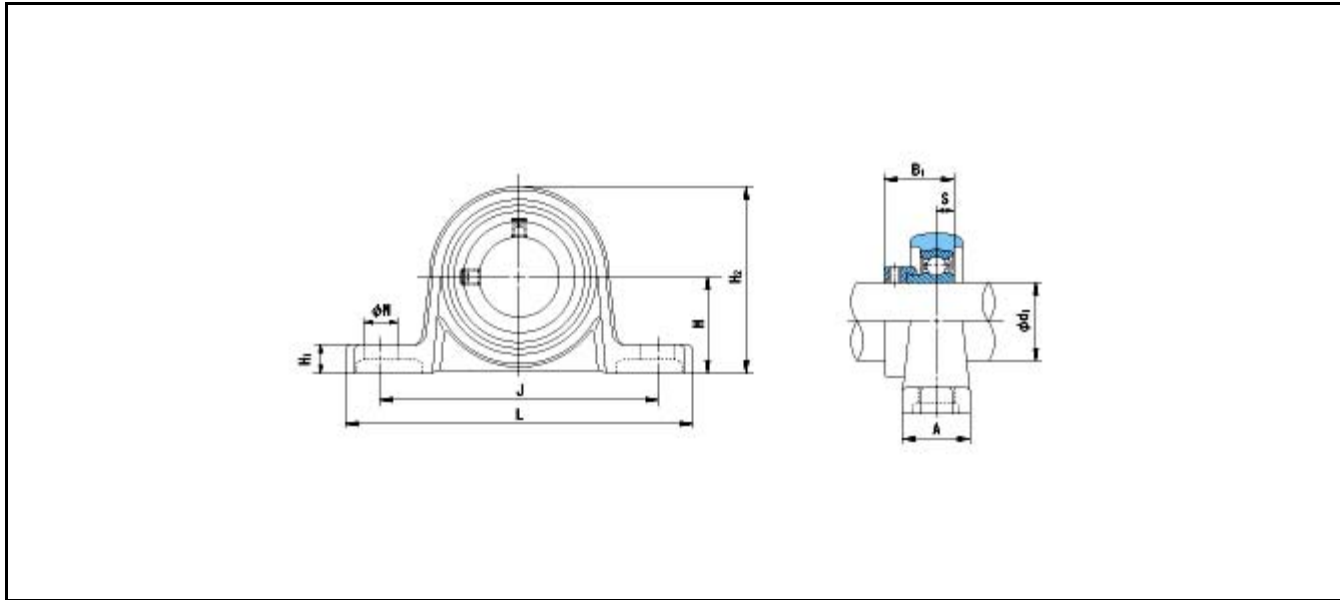
Bearing Data

Ball Bearing Units

Bearing No. : **MUP003**

Dimensions

H = 24
L = 85
J = 67
N = 7
H1 = 7
H2 = 47



Dimensions

d1 = 17
A = 18
B1 = 20.5
S = 5
Mass = 156 g

Basic Dynamic Load Rating Cr :	5100 N			
Basic Static Load Rating Cor :	2650 N	O.D.Surface Runout with Side :		-
Limiting Speed ;		Axial Runout with Bore :		-
Grease Lubrication :	- rpm	Axial Runout with Raceway :		-
Oil Lubrication :	- rpm	Width Variation :		-
		Radial Runout :		-