

ROECO

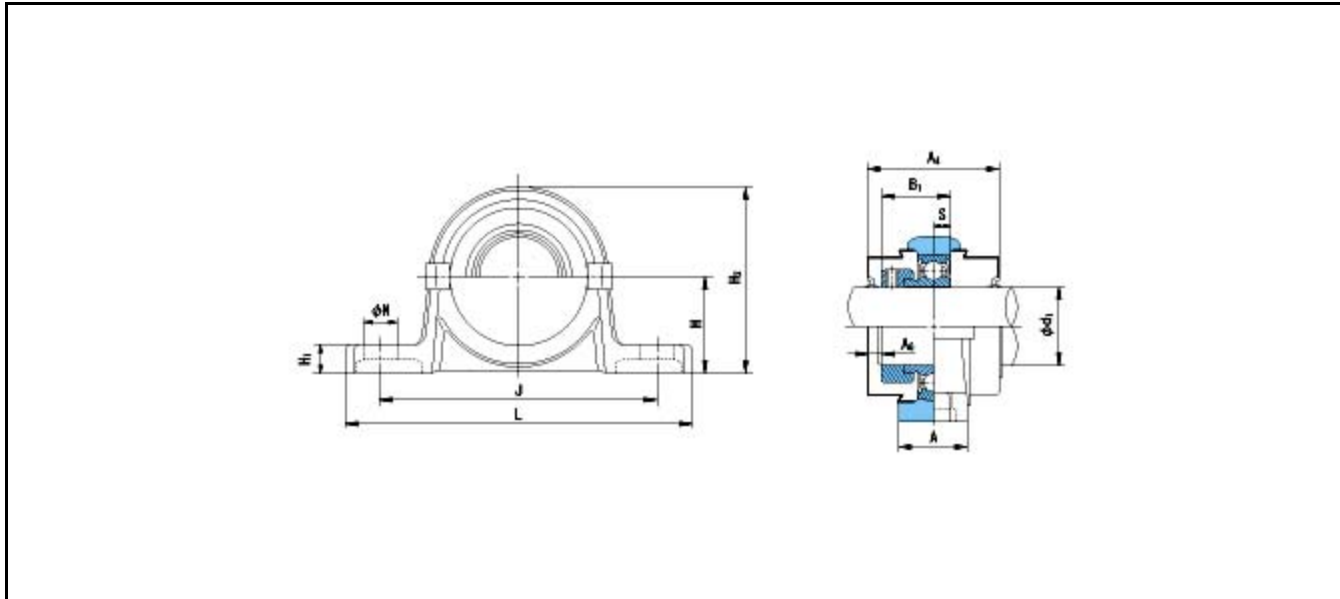
# Bearing Data

## Ball Bearing Units

Bearing No. : **MUP001E**

Dimensions

H = 19  
L = 71  
J = 56  
N = 7  
H1 = 6  
H2 = 38



Dimensions

d1 = 12  
A = 16  
B1 = 17.5  
S = 4  
A4 = 33  
A6 = 2  
Mass = 100 g

Basic Dynamic Load Rating Cr :	<b>4300 N</b>			
Basic Static Load Rating Cor :	<b>1900 N</b>	O.D.Surface Runout with Side :		-
Limiting Speed ;		Axial Runout with Bore :	-	-
Grease Lubrication :	- rpm	Axial Runout with Raceway :	-	-
Oil Lubrication :	- rpm	Width Variation :	-	-
		Radial Runout :	-	-