

ROECO

# Bearing Data

## Ball Bearing Units

Bearing No. : **MUFL006**

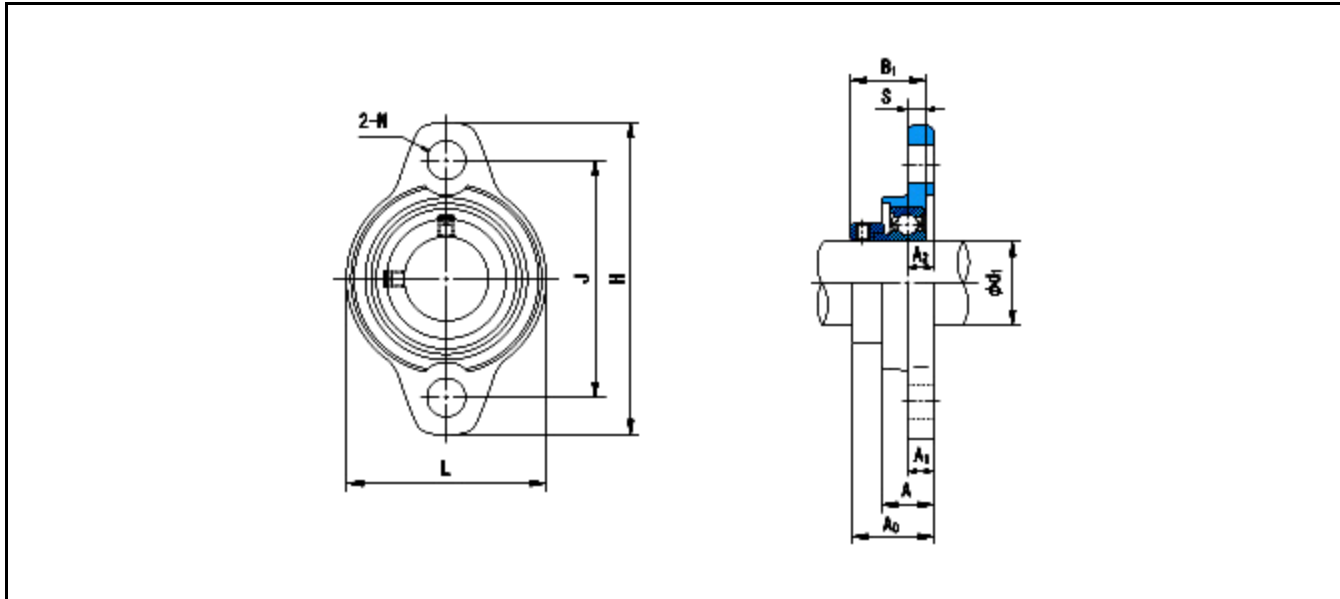
Dimensions

H = 112

L = 70

J = 85

N = 13



Dimensions

d1 = 30

A1 = 9

A2 = 9

A = 18

A0 = 29

B1 = 26.5

S = 6.5

Mass = 354 kg

Basic Dynamic Load Rating Cr :	<b>11300 N</b>			
Basic Static Load Rating Cor :	<b>6600 N</b>	O.D.Surface Runout with Side :		-
Limiting Speed ;		Axial Runout with Bore :		-
Grease Lubrication :	- rpm	Axial Runout with Raceway :		-
Oil Lubrication :	- rpm	Width Variation :		-
		Radial Runout :		-