

ROECO

# Bearing Data

## Ball Bearing Units

Bearing No. : **MUFL004**

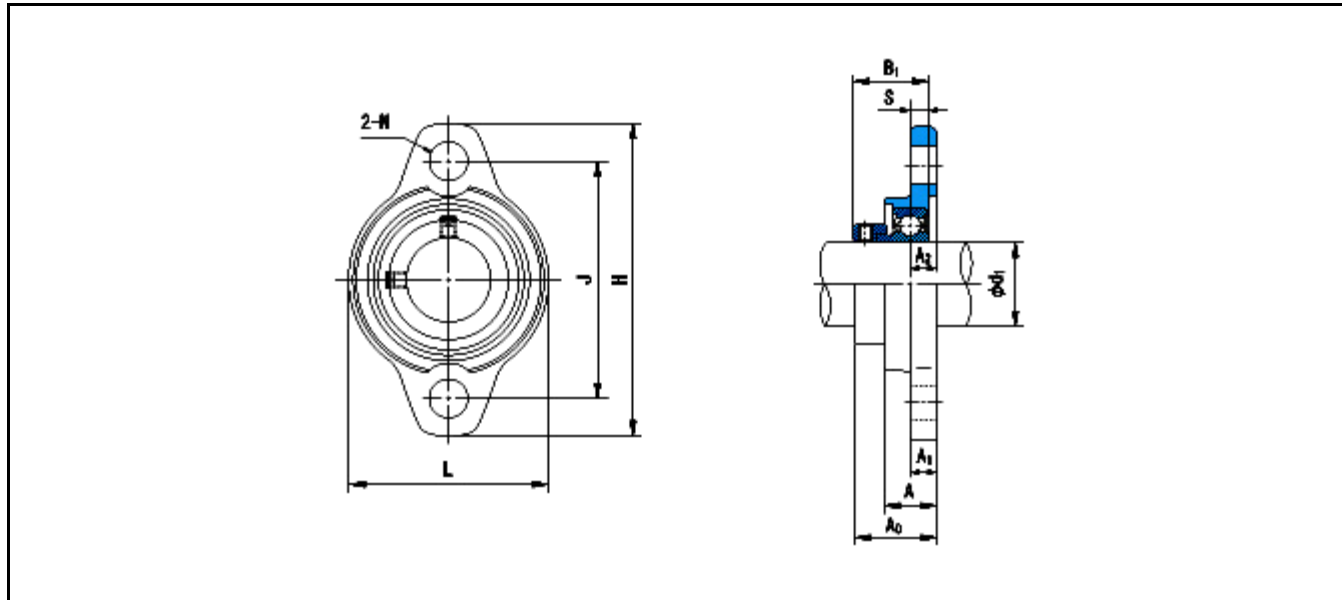
Dimensions

H = 90

L = 55

J = 71

N = 10



Dimensions

d1 = 20

A1 = 8

A2 = 8

A = 16

A0 = 26.5

B1 = 24.5

S = 6

Mass = 205 kg

Basic Dynamic Load Rating Cr :	<b>7900 N</b>			
Basic Static Load Rating Cor :	<b>4000 N</b>	O.D.Surface Runout with Side :		-
Limiting Speed ;		Axial Runout with Bore :		-
Grease Lubrication :	- rpm	Axial Runout with Raceway :		-
Oil Lubrication :	- rpm	Width Variation :		-
		Radial Runout :		-