

ROECO

Bearing Data

Ball Bearing Units

Bearing No. : **MUFL003**

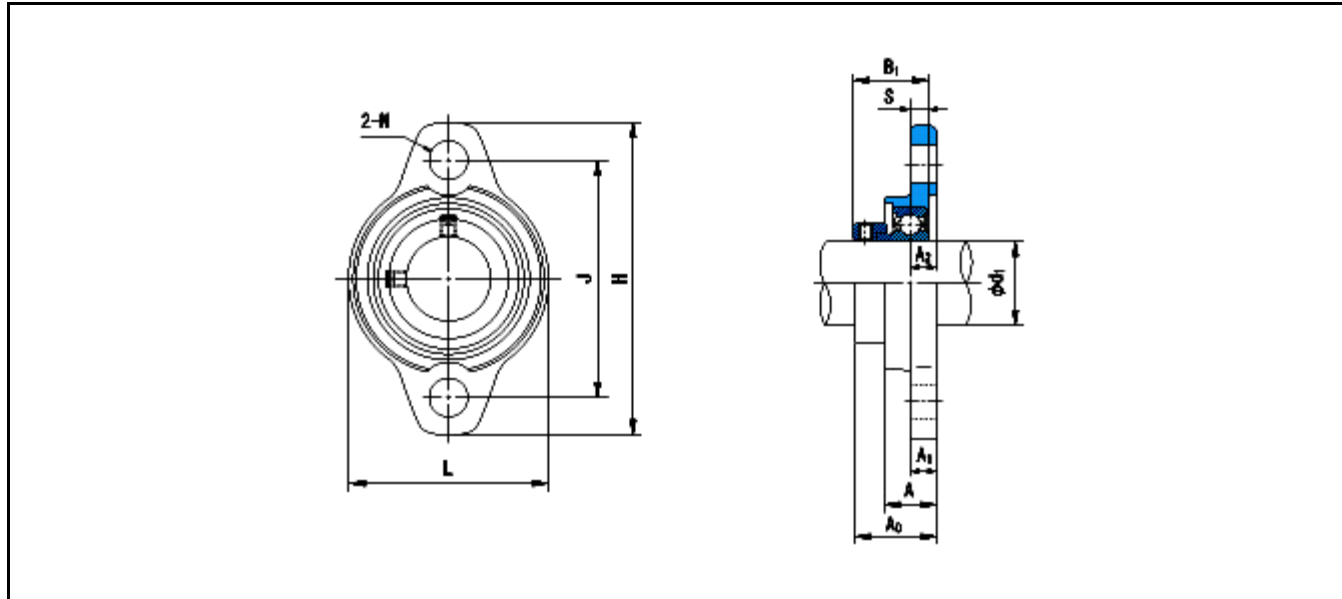
Dimensions

H = 71

L = 46

J = 56

N = 7



Dimensions

d1 = 17

A1 = 7

A2 = 7

A = 14

A0 = 22.5

B1 = 20.5

S = 5

Mass = 129 kg

Basic Dynamic Load Rating Cr :	5100 N				
Basic Static Load Rating Cor :	2650 N	O.D.Surface Runout with Side :			-
Limiting Speed ;		Axial Runout with Bore :			-
Grease Lubrication :	- rpm	Axial Runout with Raceway :			-
Oil Lubrication :	- rpm	Width Variation :			-
		Radial Runout :			-