

ROECO

## Bearing Data

### Ball Bearing Units

Bearing No. : **MUFL002**

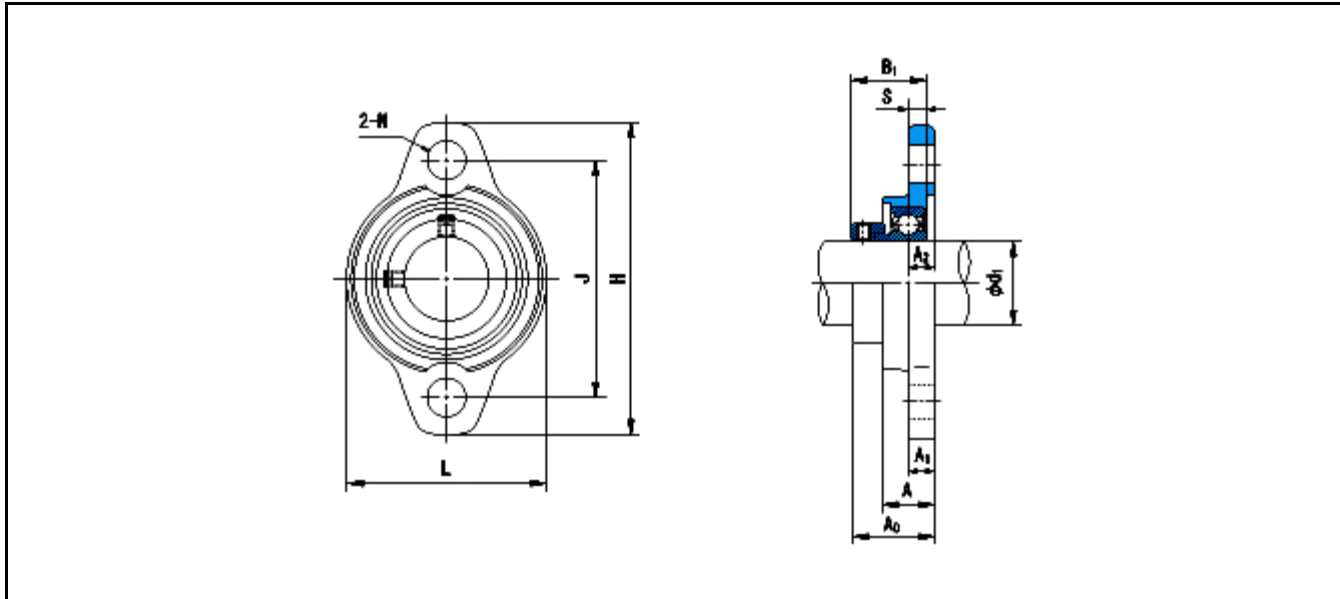
Dimensions

H = 67

L = 42

J = 53

N = 7



Dimensions

d1 = 15

A1 = 6.5

A2 = 6.5

A = 13

A0 = 20.5

B1 = 18.5

S = 4.5

Mass = 100 kg

|                                |               |                                 |   |
|--------------------------------|---------------|---------------------------------|---|
| Basic Dynamic Load Rating Cr : | <b>4750 N</b> | <b>INNER RING    OUTER RING</b> |   |
| Basic Static Load Rating Cor : | <b>2250 N</b> | O.D.Surface Runout with Side :  | - |
| Limiting Speed ;               |               | Axial Runout with Bore :        | - |
| Grease Lubrication :           | - rpm         | Axial Runout with Raceway :     | - |
| Oil Lubrication :              | - rpm         | Width Variation :               | - |
|                                |               | Radial Runout :                 | - |