

ROECO

Bearing Data

Ball Bearing Units

Bearing No. : **MUFL001**

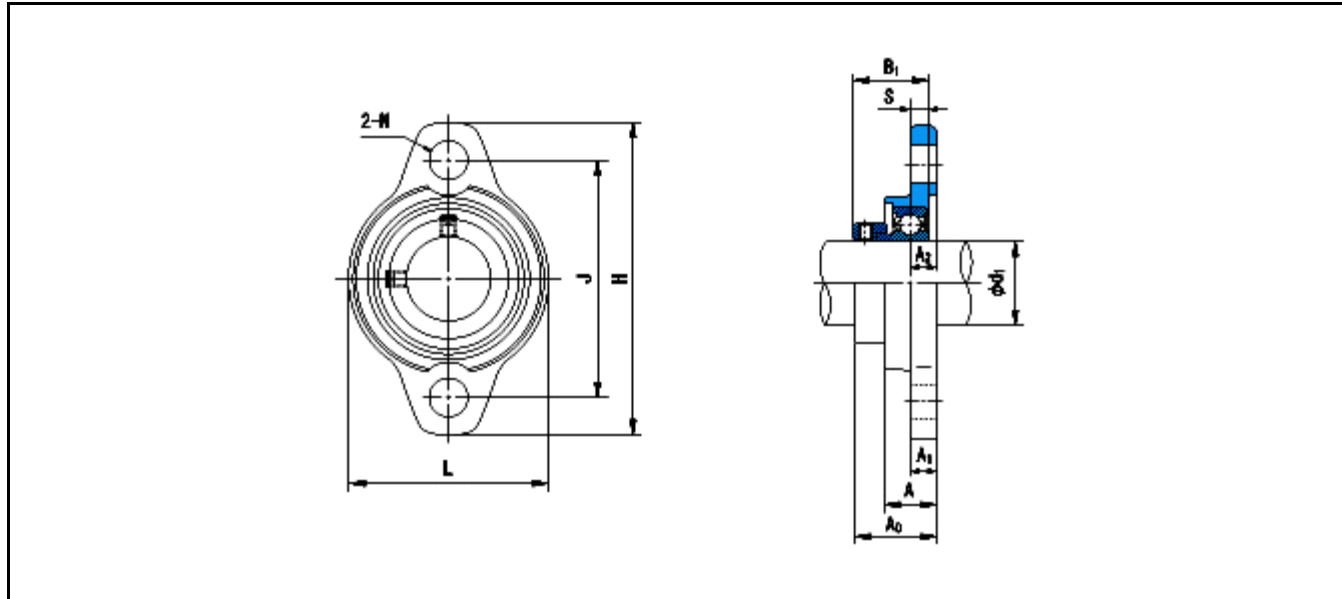
Dimensions

H = 63

L = 38

J = 48

N = 7



Dimensions

d1 = 12

A1 = 5.5

A2 = 5.5

A = 11.5

A0 = 19

B1 = 17.5

S = 4

Mass = 76 kg

Basic Dynamic Load Rating Cr :	4300 N				
Basic Static Load Rating Cor :	1900 N	O.D.Surface Runout with Side :			-
Limiting Speed ;		Axial Runout with Bore :			-
Grease Lubrication :	- rpm	Axial Runout with Raceway :			-
Oil Lubrication :	- rpm	Width Variation :			-
		Radial Runout :			-