

ROECO

Bearing Data

Ball Bearing Units

Bearing No. : **MUCT210**

Dimensions

H = 117

H2 = 74

L = 147

L1 = 89

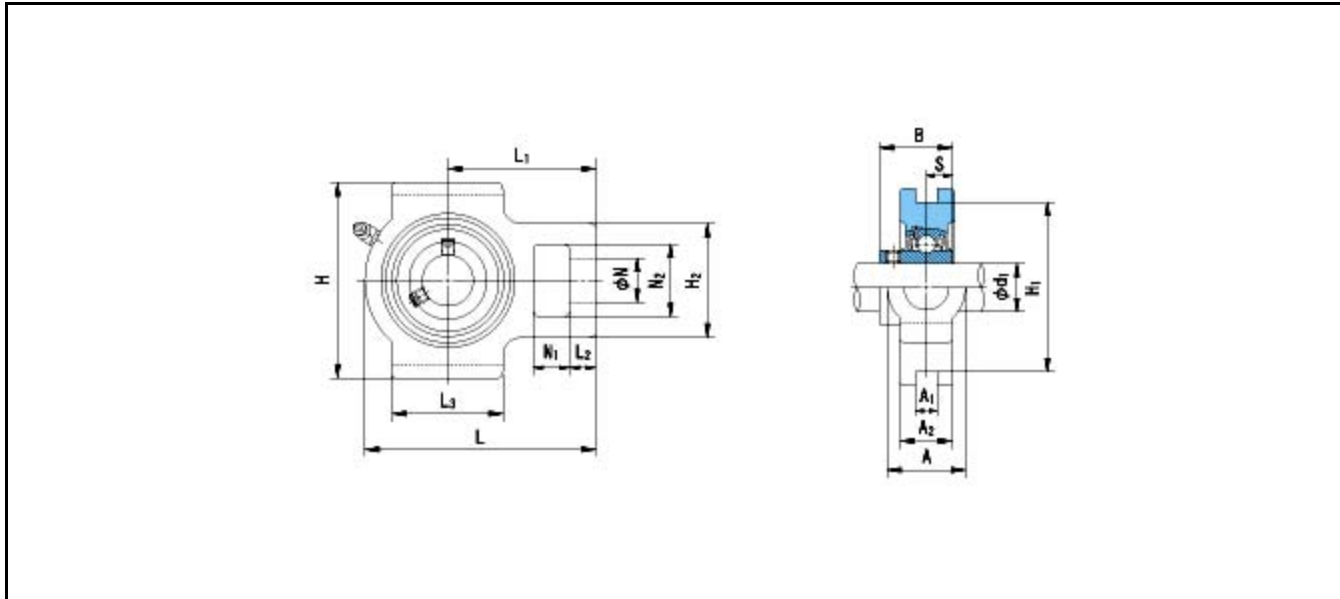
L2 = 16

L3 = 72

N = 29

N1 = 20

N2 = 49



Dimensions

d1 = 50

A1 = 16

A2 = 37

A = 49

H1 = 102

B = 51.6

S = 19

Mass = 2.65 kg

Basic Dynamic Load Rating Cr :	35500 N			
Basic Static Load Rating Cor :	23200 N	O.D.Surface Runout with Side :		-
Limiting Speed ;		Axial Runout with Bore :	-	
		Axial Runout with Raceway :	-	-
Grease Lubrication :	- rpm	Width Variation :	-	-
Oil Lubrication :	- rpm	Radial Runout :	-	-