

ROECO

# Bearing Data

## Ball Bearing Units

Bearing No. : **MUCT206**

### Dimensions

H = 102

H2 = 52

L = 111

L1 = 69

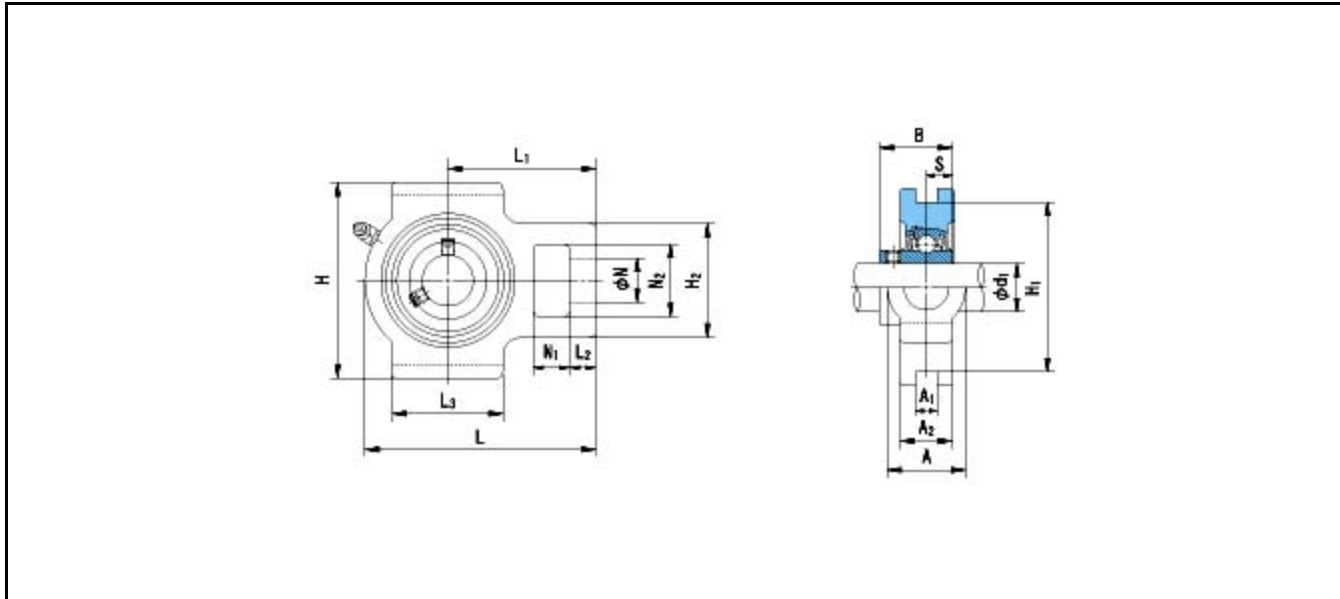
L2 = 10

L3 = 50

N = 22

N1 = 18

N2 = 37



### Dimensions

d1 = 30

A1 = 12

A2 = 27

A = 36,5

H1 = 89

B = 38.1

S = 15.9

Mass = 1.4 kg

Basic Dynamic Load Rating Cr :	<b>19600 N</b>			<b>INNER RING</b>	<b>OUTER RING</b>
Basic Static Load Rating Cor :	<b>11300 N</b>	O.D.Surface Runout with Side :			-
Limiting Speed ;		Axial Runout with Bore :		-	
Grease Lubrication :	- rpm	Axial Runout with Raceway :		-	-
Oil Lubrication :	- rpm	Width Variation :		-	-
		Radial Runout :		-	-