

ROECO

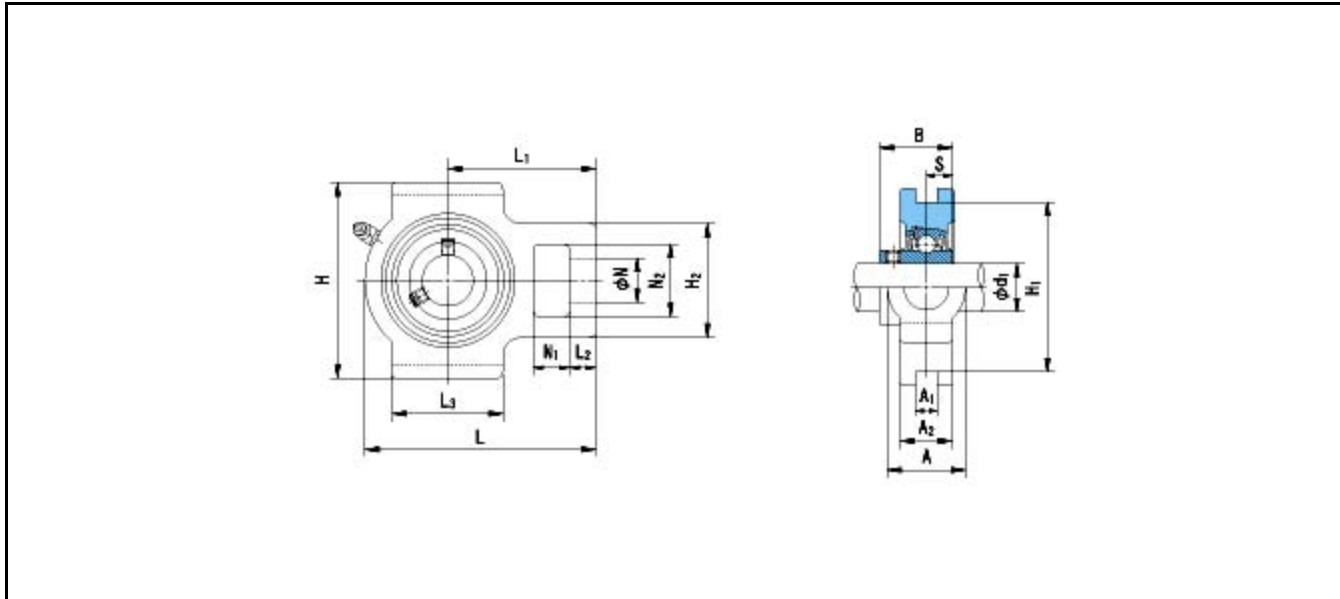
# Bearing Data

## Ball Bearing Units

Bearing No. : **MUCT204**

### Dimensions

- H = 89
- H2 = 46
- L = 92
- L1 = 60
- L2 = 10
- L3 = 44
- N = 19
- N1 = 18
- N2 = 32



### Dimensions

- d1 = 20
- A1 = 12
- A2 = 21
- A = 32
- H1 = 76
- B = 31
- S = 12.7
- Mass = 0.8 kg

<b>Basic Dynamic Load Rating Cr :</b>	<b>12800 N</b>	<b>INNER RING</b>	<b>OUTER RING</b>
<b>Basic Static Load Rating Cor :</b>	<b>6600 N</b>	<b>O.D.Surface Runout with Side :</b>	-
<b>Limiting Speed ;</b>		<b>Axial Runout with Bore :</b>	-
<b>Grease Lubrication :</b>	- rpm	<b>Axial Runout with Raceway :</b>	-
<b>Oil Lubrication :</b>	- rpm	<b>Width Variation :</b>	-
		<b>Radial Runout :</b>	-