

ROECO

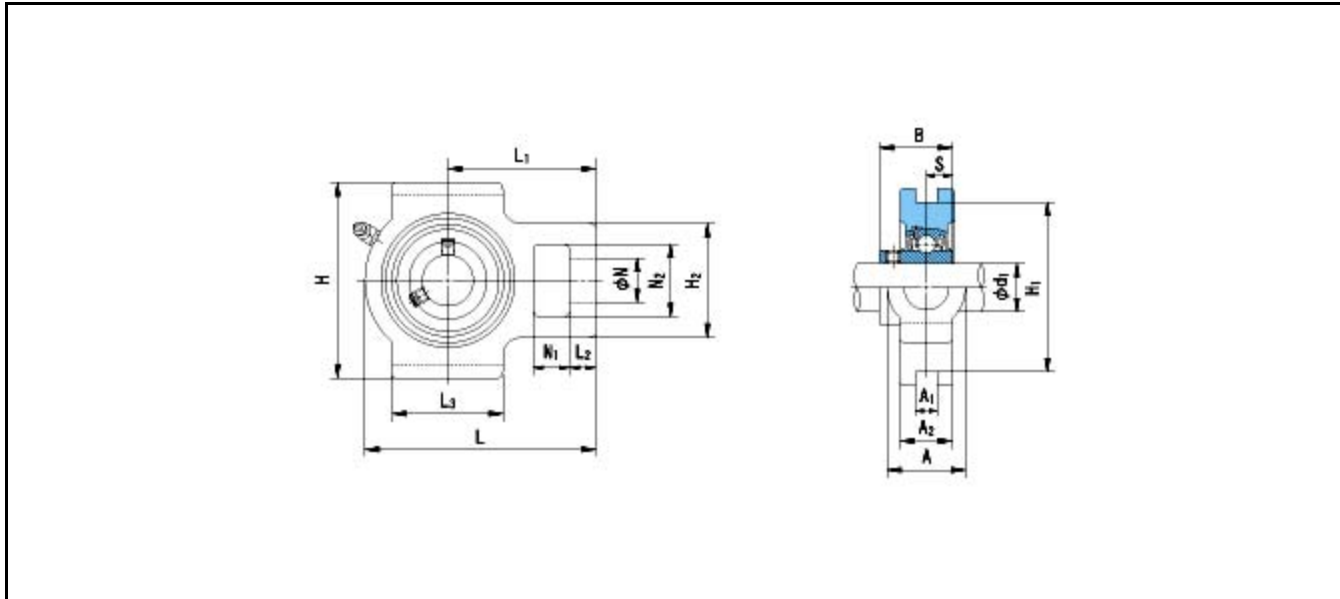
Bearing Data

Ball Bearing Units

Bearing No. : **MUCT203**

Dimensions

- H = 89
- H2 = 46
- L = 92
- L1 = 60
- L2 = 10
- L3 = 44
- N = 19
- N1 = 18
- N2 = 32



Dimensions

- d1 = 17
- A1 = 12
- A2 = 21
- A = 32
- H1 = 76
- B = 31
- S = 12.7
- Mass = 0.82 kg

Basic Dynamic Load Rating Cr :	12800 N			
Basic Static Load Rating Cor :	6600 N	O.D.Surface Runout with Side :		INNER RING OUTER RING
Limiting Speed ;		Axial Runout with Bore :	-	
Grease Lubrication :	- rpm	Axial Runout with Raceway :	-	-
Oil Lubrication :	- rpm	Width Variation :	-	-
		Radial Runout :	-	-