

ROECO

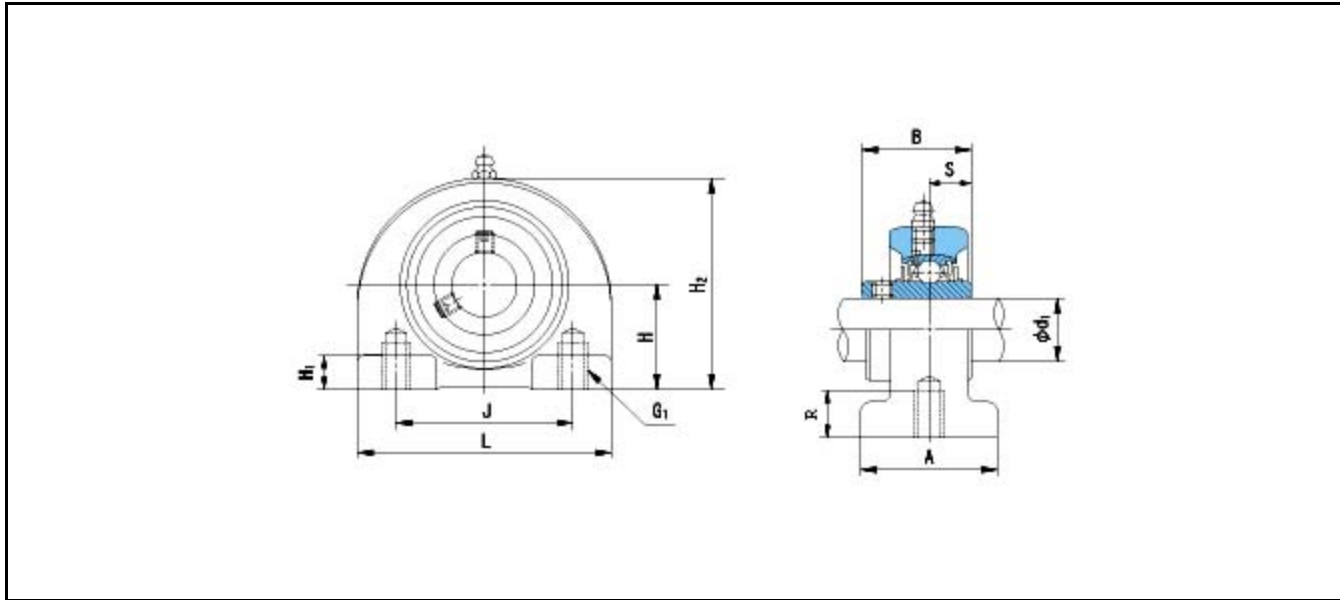
# Bearing Data

## Ball Bearing Units

Bearing No. : **MUCPA205**

Dimensions

- H = 36.5
- L = 84
- J = 56
- G1 = M10\*1.5
- H1 = 8
- H2 = 70



Dimensions

- d1 = 25
- A = 30
- B = 34,1
- S = 14.3
  
- Mass = 0.61 kg

<b>Basic Dynamic Load Rating Cr :</b>	<b>14000 N</b>	<b>INNER RING</b>	<b>OUTER RING</b>
<b>Basic Static Load Rating Cor :</b>	<b>7900 N</b>	<b>O.D.Surface Runout with Side :</b>	-
<b>Limiting Speed ;</b>		<b>Axial Runout with Bore :</b>	-
<b>Grease Lubrication :</b>	- rpm	<b>Axial Runout with Raceway :</b>	-
<b>Oil Lubrication :</b>	- rpm	<b>Width Variation :</b>	-
		<b>Radial Runout :</b>	-