

ROECO

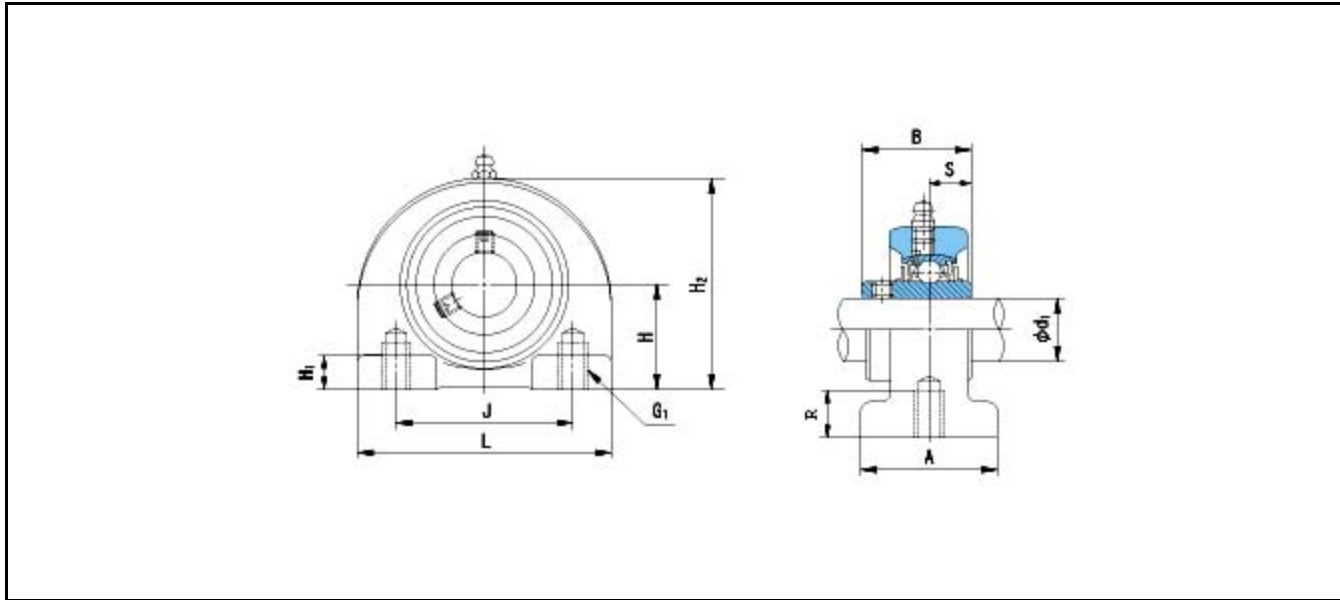
Bearing Data

Ball Bearing Units

Bearing No. : **MUCPA203**

Dimensions

- H = 30.2
- L = 76
- J = 52
- G1 = M10*1.5
- H1 = 5,7
- H2 = 60,9



Dimensions

- d1 = 17
- A = 25,5
- B = 31
- S = 12.7

Mass = 0.46 kg

| | | | |
|---------------------------------------|----------------|---------------------------------------|-------------------|
| Basic Dynamic Load Rating Cr : | 12800 N | INNER RING | OUTER RING |
| Basic Static Load Rating Cor : | 6600 N | O.D.Surface Runout with Side : | - |
| Limiting Speed ; | | Axial Runout with Bore : | - |
| Grease Lubrication : | - rpm | Axial Runout with Raceway : | - |
| Oil Lubrication : | - rpm | Width Variation : | - |
| | | Radial Runout : | - |