

ROECO

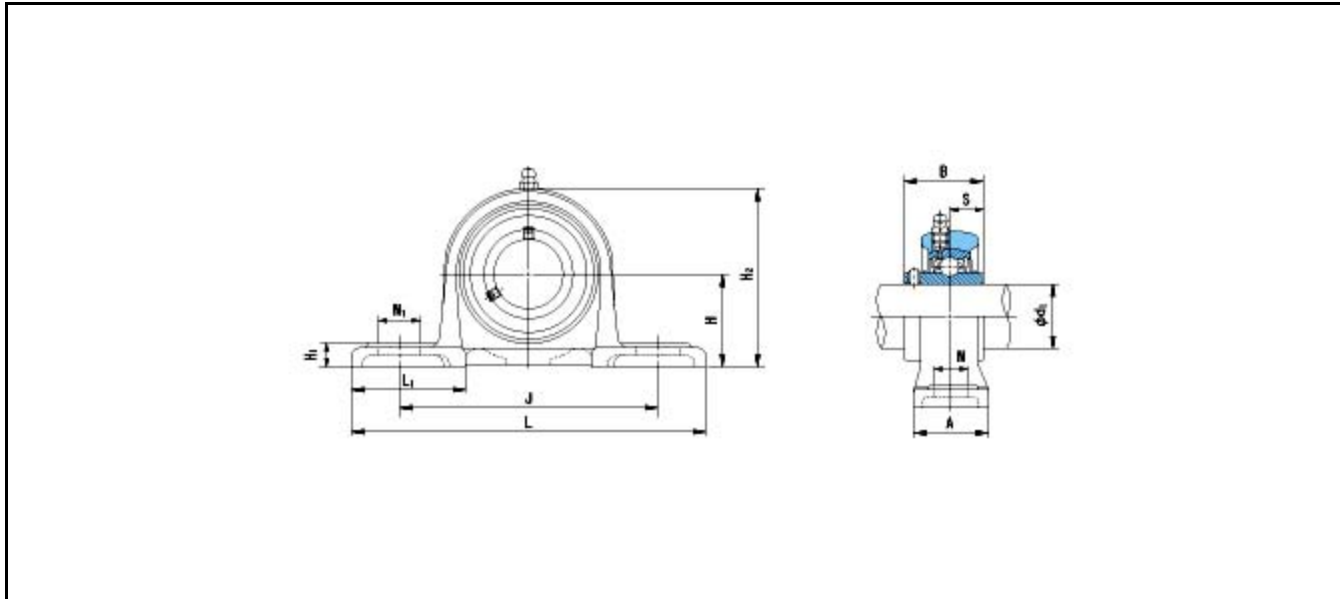
Bearing Data

Ball Bearing Units

Bearing No. : **MUCP210**

Dimensions

- H = 57.2
- L = 206
- J = 159
- N1 = 25
- H1 = 14
- H2 = 112
- L1 = 65



Dimensions

- d1 = 50
- A = 45
- N = 20
- B = 51.6
- S = 19
- Mass = 2.05 kg

Basic Dynamic Load Rating Cr :	30200 N	INNER RING	OUTER RING
Basic Static Load Rating Cor :	18600 N	O.D.Surface Runout with Side :	-
Limiting Speed ;		Axial Runout with Bore :	-
Grease Lubrication :	- rpm	Axial Runout with Raceway :	-
Oil Lubrication :	- rpm	Width Variation :	-
		Radial Runout :	-