

ROECO

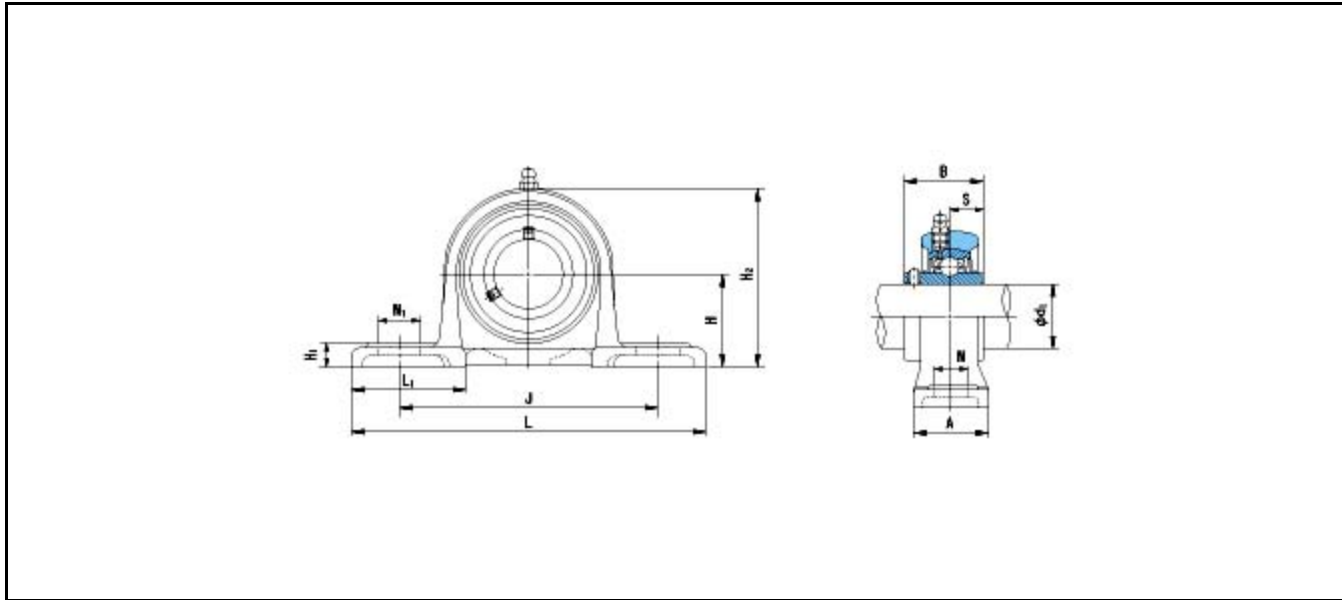
# Bearing Data

## Ball Bearing Units

Bearing No. : **MUCP209**

Dimensions

- H = 54
- L = 190
- J = 146
- N1 = 22
- H1 = 13
- H2 = 105
- L1 = 60



Dimensions

- d1 = 45
- A = 40
- N = 17
- B = 49.2
- S = 19
- Mass = 1.75 kg

<b>Basic Dynamic Load Rating Cr :</b>	<b>28100 N</b>	<b>INNER RING</b>	<b>OUTER RING</b>
<b>Basic Static Load Rating Cor :</b>	<b>16400 N</b>	<b>O.D.Surface Runout with Side :</b>	-
<b>Limiting Speed ;</b>		<b>Axial Runout with Bore :</b>	-
<b>Grease Lubrication :</b>	- rpm	<b>Axial Runout with Raceway :</b>	-
<b>Oil Lubrication :</b>	- rpm	<b>Width Variation :</b>	-
		<b>Radial Runout :</b>	-