

ROECO

Bearing Data

Ball Bearing Units

Bearing No. : **MUCP208**

Dimensions

H = 49.2

L = 184

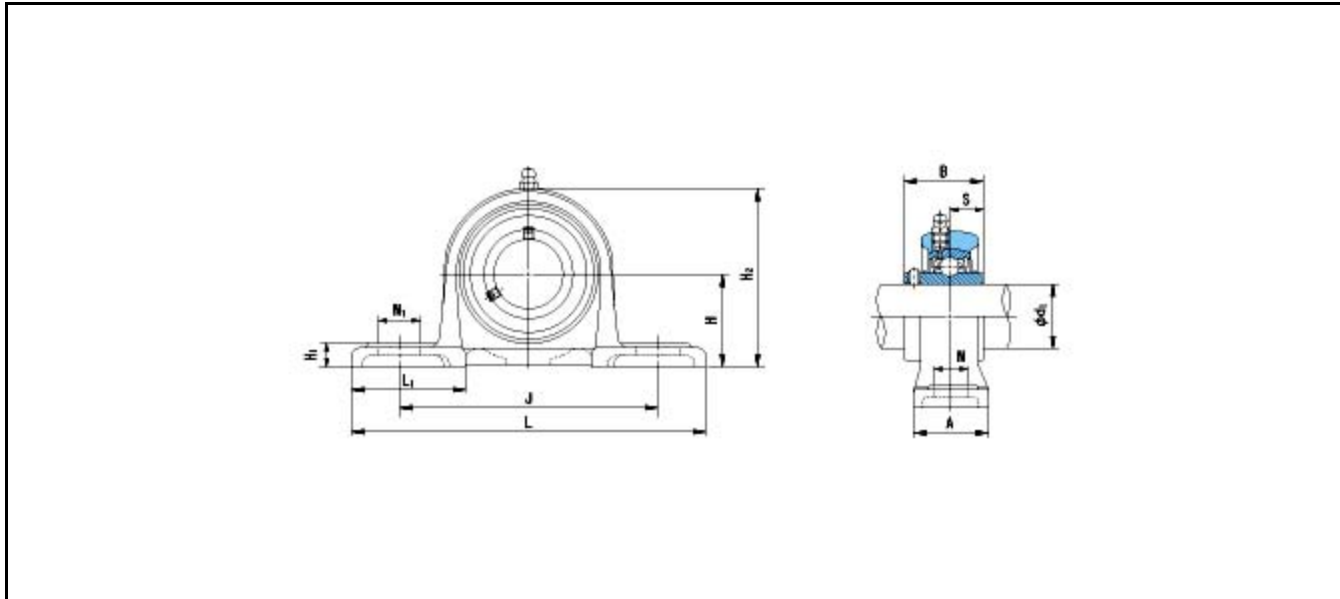
J = 137

N1 = 22

H1 = 12

H2 = 98

L1 = 52



Dimensions

d1 = 40

A = 40

N = 17

B = 49.2

S = 19

Mass = 1.5 kg

Basic Dynamic Load Rating Cr :	24900 N		INNER RING	OUTER RING
Basic Static Load Rating Cor :	14300 N	O.D.Surface Runout with Side :		-
Limiting Speed ;		Axial Runout with Bore :	-	-
Grease Lubrication :	- rpm	Axial Runout with Raceway :	-	-
Oil Lubrication :	- rpm	Width Variation :	-	-
		Radial Runout :	-	-