

ROECO

Bearing Data

Ball Bearing Units

Bearing No. : **MUCP206**

Dimensions

H = 42.9

L = 165

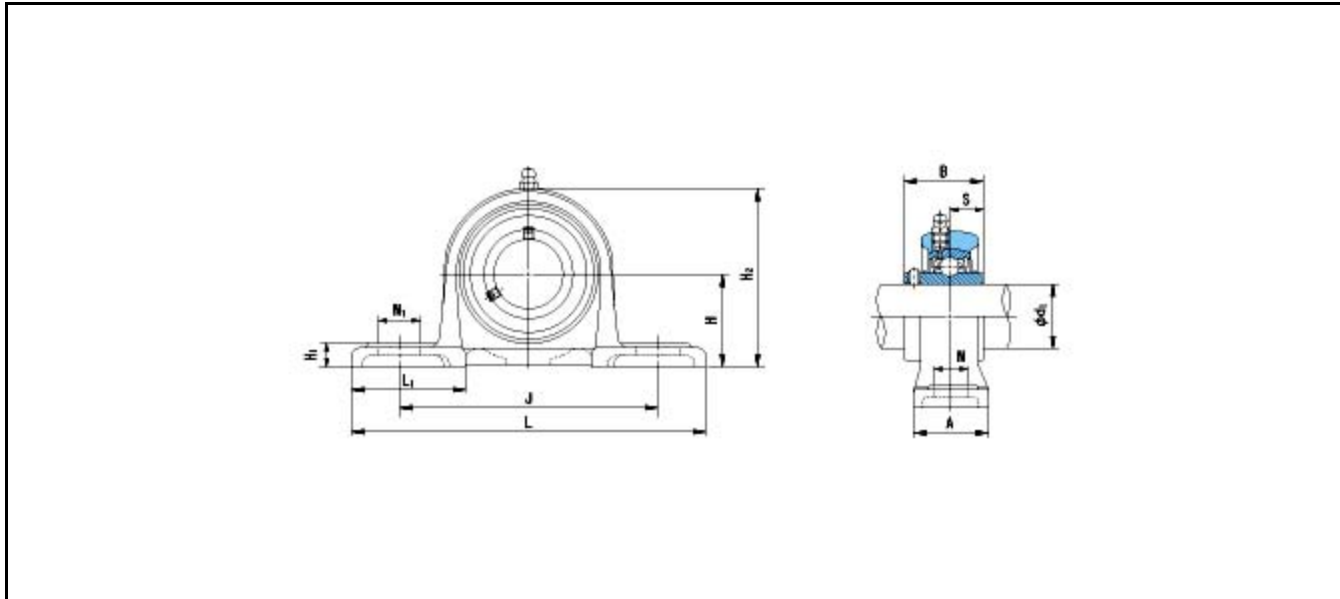
J = 121

N1 = 21

H1 = 11

H2 = 82

L1 = 53



Dimensions

d1 = 30

A = 36

N = 17

B = 38.1

S = 15.9

Mass = 0.95 kg

Basic Dynamic Load Rating Cr :	16700 N	INNER RING	OUTER RING
Basic Static Load Rating Cor :	9050 N	O.D.Surface Runout with Side :	-
Limiting Speed ;		Axial Runout with Bore :	-
Grease Lubrication :	- rpm	Axial Runout with Raceway :	-
Oil Lubrication :	- rpm	Width Variation :	-
		Radial Runout :	-