

ROECO

# Bearing Data

## Ball Bearing Units

Bearing No. : **MUCFL210**

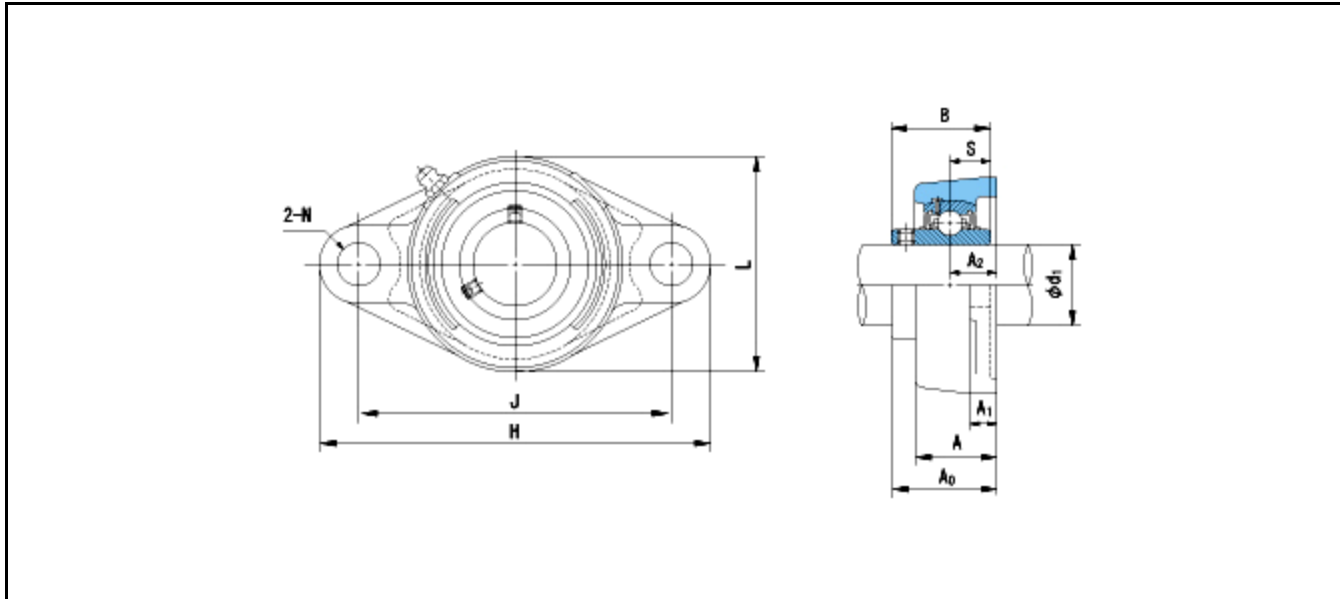
Dimensions

H = 197

L = 115

J = 157

N = 19



Dimensions

d<sub>1</sub> = 50

A<sub>1</sub> = 13

A<sub>2</sub> = 22

A = 40

A<sub>0</sub> = 54.6

B = 51.6

S = 19

Mass = 1.9 kg

Basic Dynamic Load Rating Cr :	<b>30200 N</b>		
Basic Static Load Rating Cor :	<b>18600 N</b>	O.D.Surface Runout with Side :	-
Limiting Speed ;		Axial Runout with Bore :	-
Grease Lubrication :	- rpm	Axial Runout with Raceway :	-
Oil Lubrication :	- rpm	Width Variation :	-
		Radial Runout :	-