

ROECO

# Bearing Data

## Ball Bearing Units

Bearing No. : **MUCFL205**

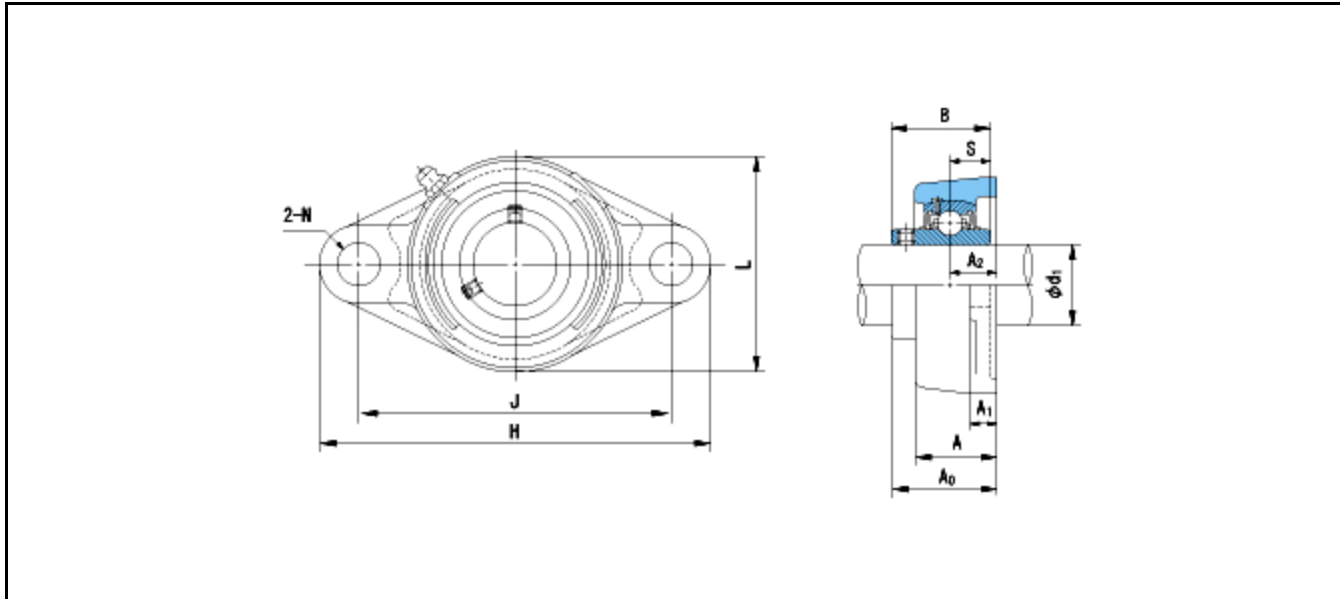
Dimensions

H = 130

L = 68

J = 99

N = 16



Dimensions

d1 = 25

A1 = 10

A2 = 16

A = 27

A0 = 35.7

B = 34

S = 14.3

Mass = 0.5 kg

Basic Dynamic Load Rating Cr :	<b>11900 N</b>				
Basic Static Load Rating Cor :	<b>6300 N</b>	O.D.Surface Runout with Side :			-
Limiting Speed ;		Axial Runout with Bore :			-
Grease Lubrication :	- rpm	Axial Runout with Raceway :			-
Oil Lubrication :	- rpm	Width Variation :			-
		Radial Runout :			-