

ROECO

Bearing Data

Ball Bearing Units

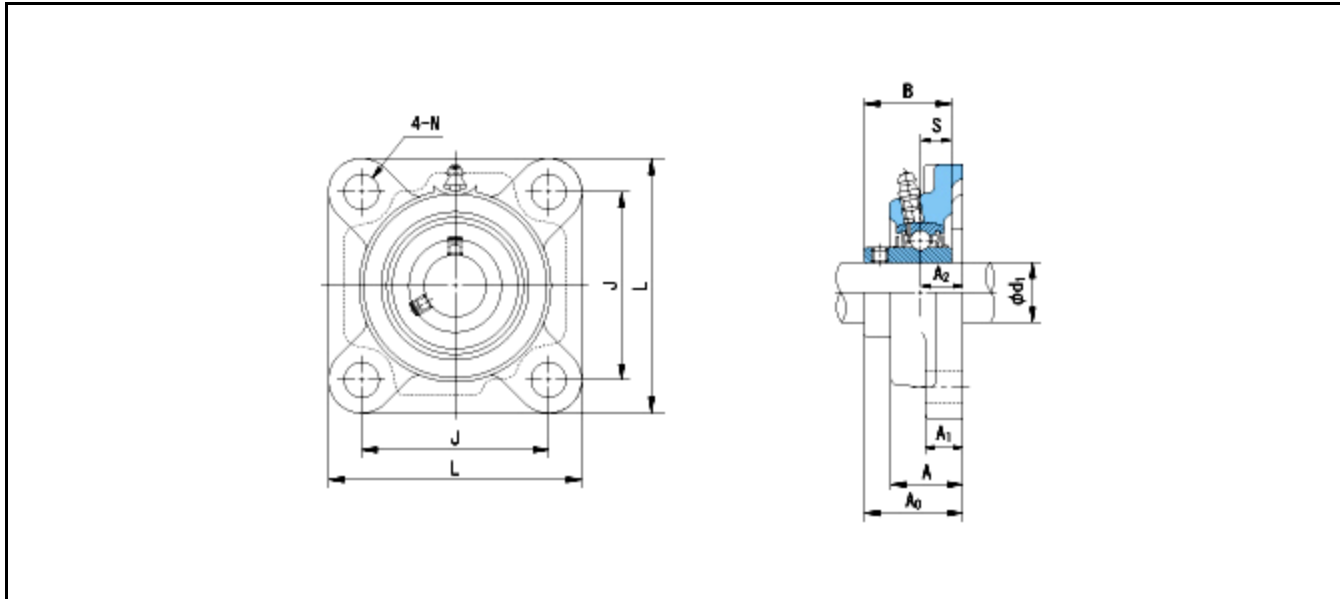
Bearing No. : **MUCF208**

Dimensions

L = 130

J = 102

N = 16



Dimensions

d1 = 40

A1 = 11

A2 = 21

B = 49.2

S = 19

A = 36

A0 = 51.2

Mass = 2.15 kg

Basic Dynamic Load Rating Cr :	24900 N				
Basic Static Load Rating Cor :	14300 N	O.D.Surface Runout with Side :			-
Limiting Speed ;		Axial Runout with Bore :			-
Grease Lubrication :	- rpm	Axial Runout with Raceway :			-
Oil Lubrication :	- rpm	Width Variation :			-
		Radial Runout :			-