

ROECO

Bearing Data

Ball Bearing Units

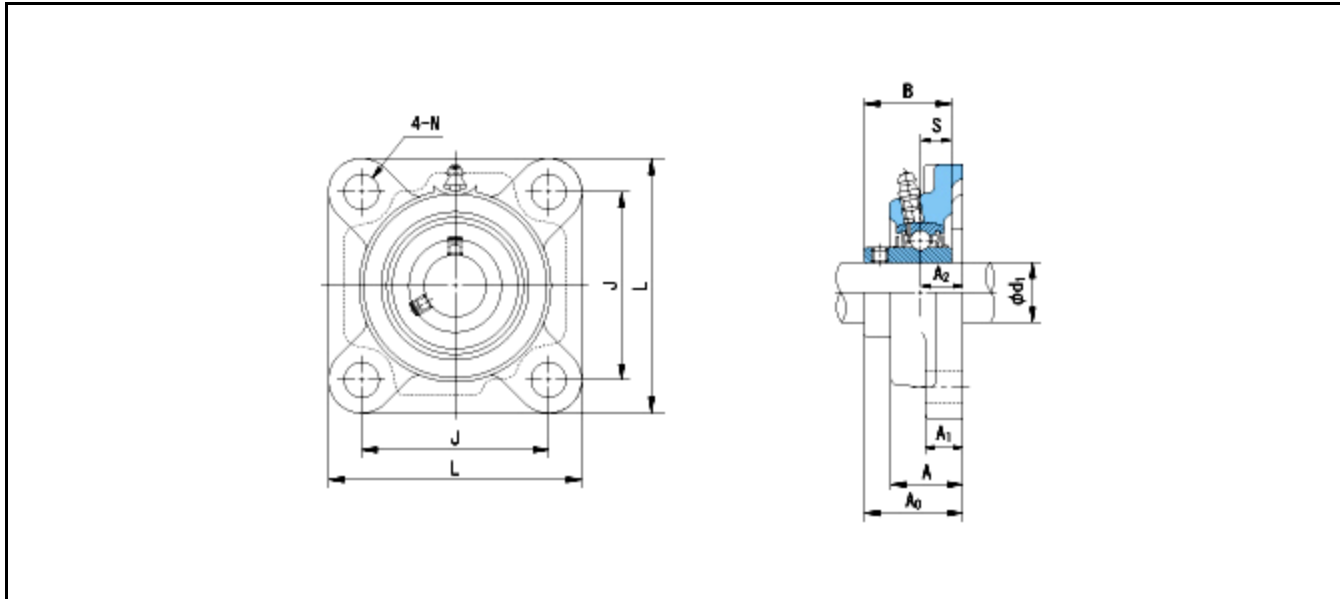
Bearing No. : **MUCF207**

Dimensions

L = 117

J = 92

N = 14



Dimensions

d1 = 35

A1 = 11

A2 = 19

B = 42.9

S = 17.5

A = 34

A0 = 44.4

Mass = 1.6 kg

| | | | | | |
|--------------------------------|----------------|--------------------------------|--|--|---|
| Basic Dynamic Load Rating Cr : | 22000 N | | | | |
| Basic Static Load Rating Cor : | 12300 N | O.D.Surface Runout with Side : | | | - |
| Limiting Speed ; | | Axial Runout with Bore : | | | - |
| Grease Lubrication : | - rpm | Axial Runout with Raceway : | | | - |
| Oil Lubrication : | - rpm | Width Variation : | | | - |
| | | Radial Runout : | | | - |