

ROECO

Bearing Data

Ball Bearing Units

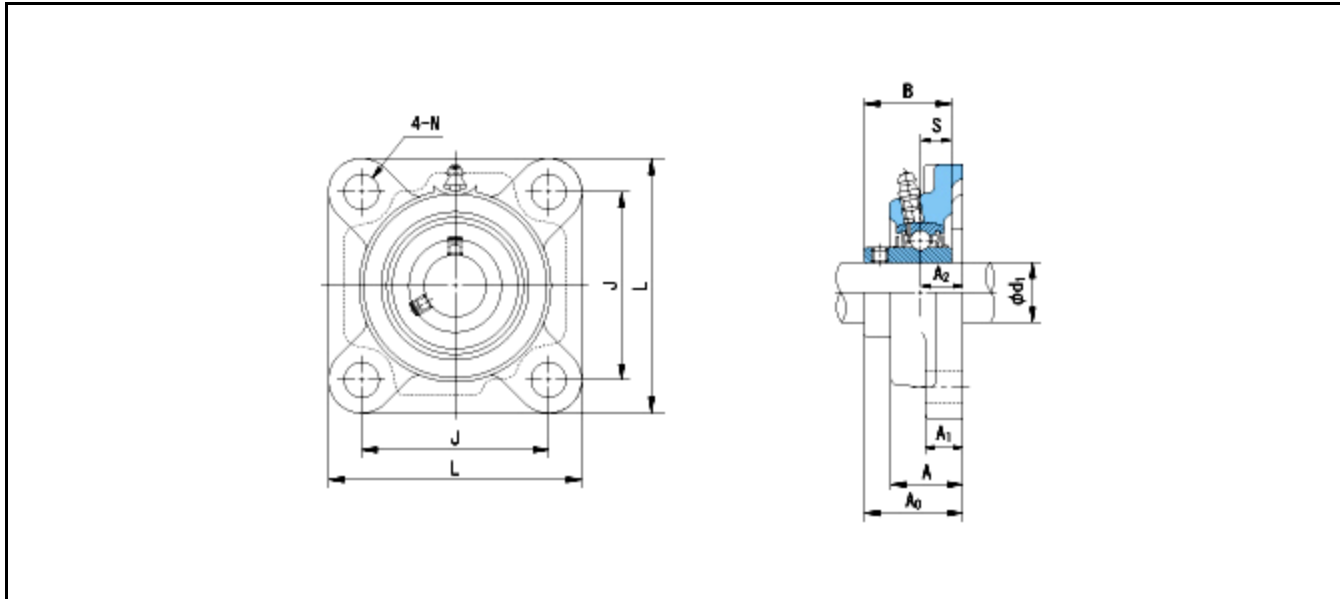
Bearing No. : **MUCF206**

Dimensions

L = 108

J = 83

N = 12



Dimensions

d1 = 30

A1 = 14

A2 = 18

B = 38.1

S = 15.9

A = 31

A0 = 40.2

Mass = 1.2 kg

Basic Dynamic Load Rating Cr :	16700 N				
Basic Static Load Rating Cor :	90500 N	O.D.Surface Runout with Side :			-
Limiting Speed ;		Axial Runout with Bore :			-
Grease Lubrication :	- rpm	Axial Runout with Raceway :			-
Oil Lubrication :	- rpm	Width Variation :			-
		Radial Runout :			-