

ROECO

Bearing Data

Ball Bearing Units

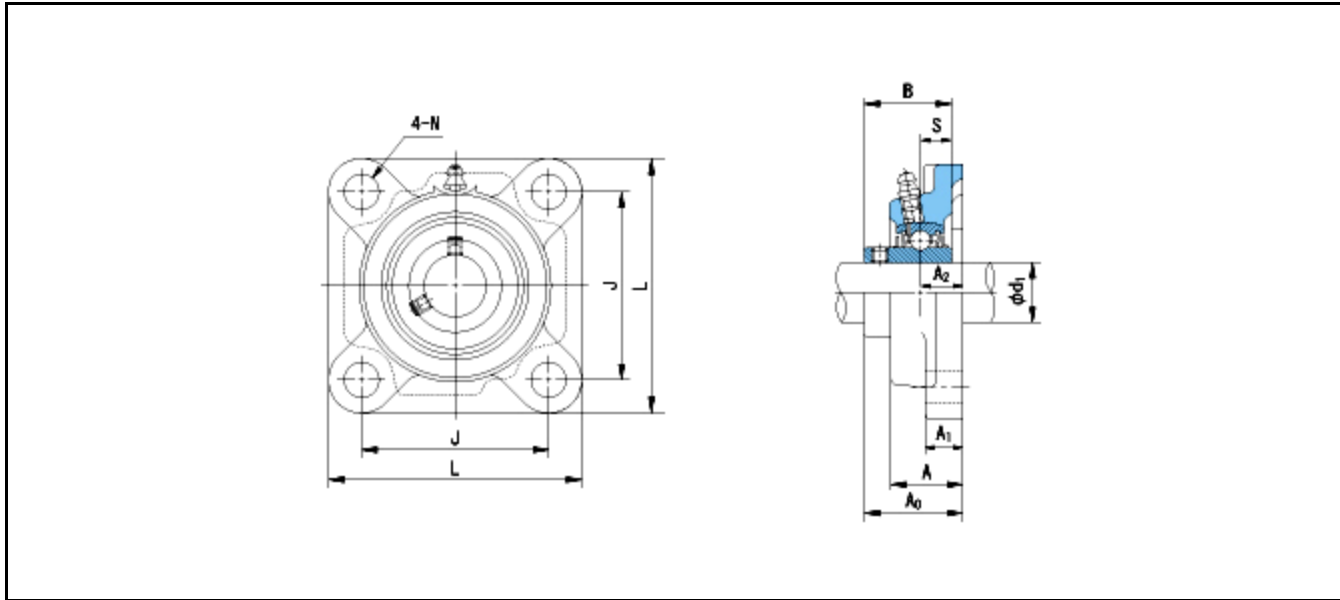
Bearing No. : **MUCF202**

Dimensions

L = 86

J = 64

N = 12



Dimensions

d1 = 15

A1 = 12

A2 = 15

B = 31

S = 12.7

A = 25.5

A0 = 33.3

Mass = 0.68 kg

Basic Dynamic Load Rating Cr :	10900 N				
Basic Static Load Rating Cor :	5300 N	O.D.Surface Runout with Side :			-
Limiting Speed ;		Axial Runout with Bore :			-
Grease Lubrication :	- rpm	Axial Runout with Raceway :			-
Oil Lubrication :	- rpm	Width Variation :			-
		Radial Runout :			-