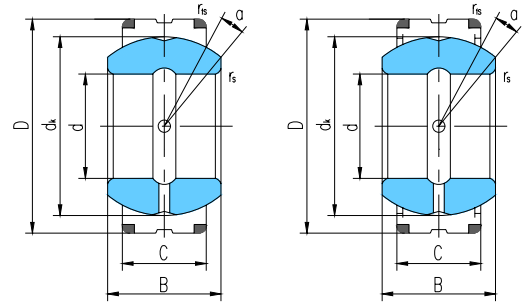
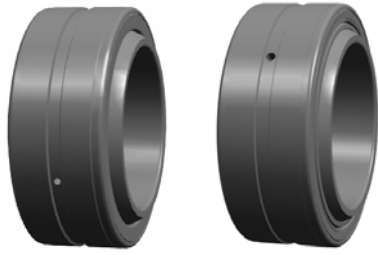




Radial Spherical Plain Bearings



Sliding contact surfaces: Steel / Steel

GEC...XS

GEC...XS-2RS

Bearing number		Dimensions mm								Load ratings kN		Weight ≈kg
		d	D	B	C	d _k	r _s min	r _{1s} min	α° ≈	Dynamic	Static	
GEC320XS	GEC320XS-2RS	320	440	160	135	380	1.1	3	4	4400	22000	78
GEC340XS	GEC340XS-2RS	340	460	160	135	400	1.1	3	3	4650	23200	83
GEC360XS	GEC360XS-2RS	360	480	160	135	420	1.1	3	3	4800	24000	87
GEC380XS	GEC380XS-2RS	380	520	190	160	450	1.5	4	4	6300	31500	129
GEC400XS	GEC400XS-2RS	400	540	190	160	470	1.5	4	3	6550	32500	135
GEC420XS	GEC420XS-2RS	420	560	190	160	490	1.5	4	3	6800	34500	141
GEC440XS	GEC440XS-2RS	440	600	218	185	520	1.5	4	3	8650	42300	196
GEC460XS	GEC460XS-2RS	460	620	218	185	540	1.5	4	3	9000	45000	204