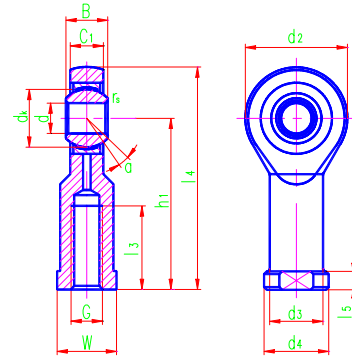




Rod ends



PTFE



Sliding contact surfaces: Steel / PTFE composite material

Bearing number	Dimensions mm															Load ratings kN		Weight ≈kg
	d	B	d _K	C ₁ max	d ₂ max	G 6H	h ₁	l ₃ min	l ₄ max	l ₅ max	W	d ₃ max	d ₄ max	r _s min	α° ≈	Dynamic	Static	
SIJK5C	5	8	11.112	7.5	18	M5	27	8	36	4	10	9	12	0.3	4	3.6	4.6	0.016
SIJK6C	6	9	12.7	7.5	20	M6	30	9	40	5	10	10	13	0.3	9	4.7	5.2	0.019
SIJK8C	8	12	15.88	9.5	24	M8	36	12	48	5	13	12.5	16	0.3	12	7.6	8.2	0.036
SIJK10C	10	14	19.05	11.5	30	M10	43	15	58	6.5	16	15	19	0.6	10	12	15	0.088
SIJK12C	12	16	22.23	12.5	34	M12	50	18	67	6.5	18	17.5	22	0.6	12	14	19	0.12
SIJK14C	14	19	25.4	14.5	38	M14	57	21	76	8	21	20	25	0.6	14	19	24	0.14
SIJK16C	16	21	28.58	15.5	42	M16	64	24	85	8	24	22	27	0.6	14	23	29	0.24
SIJK18C	18	23	31.75	17.5	46	M18×1.5	71	27	94	10	27	25	31	0.6	13	29	34	0.32
SIJK20C	20	25	34.93	18.5	50	M20×1.5	77	30	102	10	30	27.5	34	0.6	14	34	40	0.43
SIJK22C	22	28	38.1	21	56	M22×1.5	84	33	112	12	34	30	37	0.6	14	42	50	0.61
SIJK25C	25	31	42.86	23	60	M24×2	94	36	124	12	36	33.5	42	0.6	14	52	57	0.81
SIJK28C	28	35	47.63	26	66	M27×2	103	41	136	14	41	37	46	0.6	14	66	69	1.2
SIJK30C	30	37	50.8	27	70	M30×2	110	45	145	15	46	40	50	0.6	15	73	77	1.4

“L” “ SIJK20C M20×1.5-6H

For left-hand thread, suffix “L” is added to bearings number and thread sign e.g. SIJK20C M20×1.5L-6H