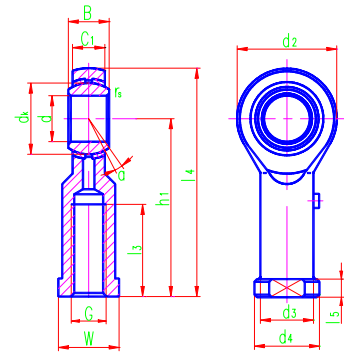




Rod ends



Sliding contact surfaces Steel Bronze

Bearing number	Dimensions mm															Load ratings kN		Weight ≈kg
	d	B	d _K	C ₁ max	d ₂ max	G 6H	h ₁	l ₃ min	l ₄ max	l ₅ max	W	d ₃ max	d ₄ max	r _s min	α° ≈	Dynamic	Static	
SIBP5S	5	8	11.11	6	16	M5	27	14	35	4	9	9	11	0.3	13	3.3	4.1	0.016
SIBP6S	6	9	12.7	6.75	18	M6	30	14	39	5	11	10	13	0.3	13	4.3	5.3	0.026
SIBP8S	8	12	15.88	9	22	M8	36	17	47	5	14	12.5	16	0.3	14	6.8	8.5	0.044
SIBP10S	10	14	19.05	10.5	26	M10	43	21	56	6.5	17	15	19	0.6	14	10	11	0.072
SIBP12S	12	16	22.23	12	30	M12	50	24	65	6.5	19	17.5	22	0.6	13	13	14	0.108
SIBP14S	14	19	25.4	13.5	34	M14	57	27	74	8	22	20	25	0.6	16	17	20	0.161
SIBP16S	16	21	28.58	15	38	M16	64	33	83	8	22	22	27	0.6	15	21	25	0.225
SIBP18S	18	23	31.75	16.5	42	M18×1.5	71	36	92	10	27	25	31	0.6	15	26	30	0.295
SIBP20S	20	25	34.93	18	46	M20×1.5	77	40	100	10	30	27.5	34	0.6	15	31	35	0.382
SIBP22S	22	28	38.1	20	50	M22×1.5	84	43	109	12	32	30	37	0.6	15	38	43	0.488
SIBP25S	25	31	42.86	22	60	M24×2	94	48	124	12	36	33.5	42	0.6	15	47	65	0.749
SIBP28S	28	35	47.63	25	66	M27×2	103	53	136	12	41	37	46	0.6	15	59	77	0.949
SIBP30S	30	37	50.8	25	70	M30×2	110	56	145	15	41	40	50	0.6	17	63	86	1.13

“L” “ ” SILBP20S M20×1.5-6H

For left-hand thread suffix “L” is added to bearings number and thread sign e.g. SILBP20S M20×1.5L-6H