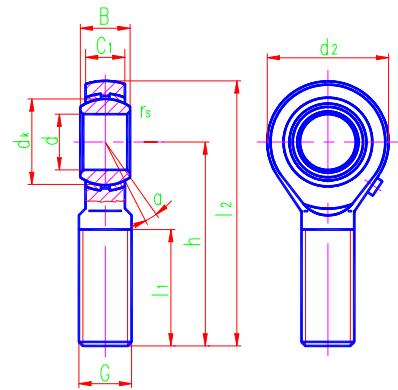




## Rod ends



Sliding contact surfaces Steel Bronze

Bearing number	Dimensions mm											Load ratings kN		Weight ≈kg
	d	B	dk	C <sub>1</sub> max	d <sub>2</sub> max	G 6g	h	l <sub>1</sub> min	l <sub>2</sub> max	r <sub>s</sub> min	α° ≈	Dynamic	Static	
SABP5S	5	8	11.112	6	16	M5	33	20	41	0.3	13	3.3	3.9	0.016
SABP6S	6	9	12.7	6.75	18	M6	36	22	45	0.3	13	4.3	5.3	0.026
SABP8S	8	12	15.88	9	22	M8	42	25	53	0.3	14	6.8	8.5	0.044
SABP10S	10	14	19.05	10.5	26	M10	48	29	61	0.6	14	10	11	0.072
SABP12S	12	16	22.23	12	30	M12	54	33	69	0.6	13	13	14	0.108
SABP14S	14	19	25.4	13.5	34	M14	60	36	77	0.6	16	17	20	0.161
SABP16S	16	21	28.58	15	38	M16	66	40	85	0.6	15	21	25	0.225
SABP18S	18	23	31.75	16.5	42	M18×1.5	72	44	93	0.6	15	26	30	0.295
SABP20S	20	25	34.93	18	46	M20×1.5	78	47	101	0.6	15	31	35	0.382
SABP22S	22	28	38.1	20	50	M22×1.5	84	51	109	0.6	15	38	43	0.488
SABP25S	25	31	42.86	22	60	M24×2	94	57	124	0.6	15	47	65	0.749
SABP28S	28	35	47.63	25	66	M27×2	103	62	136	0.6	15	59	77	0.949
SABP30S	30	37	50.8	25	70	M30×2	110	66	145	0.6	17	63	86	1.13

“L” “SALBP20S M20×1.5-6g

For left-hand thread, suffix “L” is added to bearings number and thread sign e.g. SALBP20S M20×1.5L-6g