

ROECO

Bearing Data

Ball Bearing Units

Bearing No. : **KHPP206**

Dimensions

H = 33.3

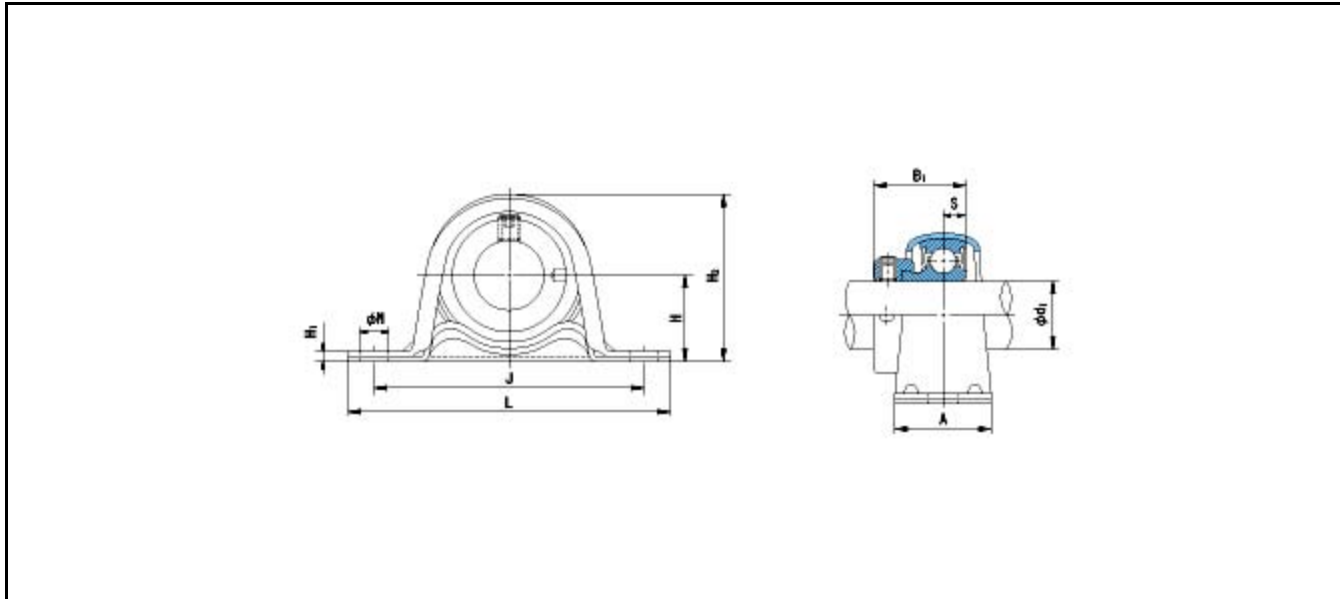
L = 117

J = 95

N = 11.5

H1 = 4

H2 = 66



Dimensions

d1 = 30

A = 38

B1 = 35.7

S = 9

Mass = 0.48 kg

Basic Dynamic Load Rating Cr :	19600 N		INNER RING	OUTER RING
Basic Static Load Rating Cor :	11300 N	O.D.Surface Runout with Side :		-
Limiting Speed ;		Axial Runout with Bore :	-	-
Grease Lubrication :	- rpm	Axial Runout with Raceway :	-	-
Oil Lubrication :	- rpm	Width Variation :	-	-
		Radial Runout :	-	-