

ROECO

Bearing Data

Ball Bearing Units

Bearing No. : **KHPP202**

Dimensions

H = 22.2

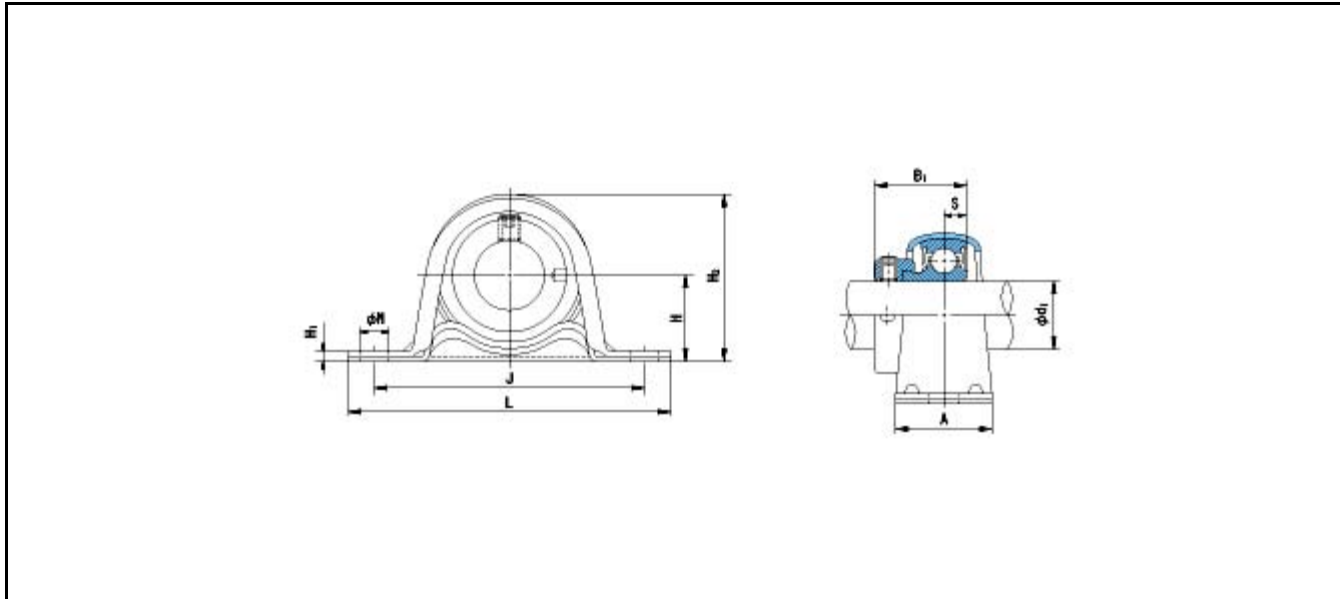
L = 86

J = 68

N = 9.5

H1 = 3.2

H2 = 44



Dimensions

d1 = 15

A = 25

B1 = 28.6

S = 6.5

Mass = 0.17 kg

Basic Dynamic Load Rating Cr :	9550 N		INNER RING	OUTER RING
Basic Static Load Rating Cor :	4800 N	O.D.Surface Runout with Side :		-
Limiting Speed ;		Axial Runout with Bore :	-	-
Grease Lubrication :	- rpm	Axial Runout with Raceway :	-	-
Oil Lubrication :	- rpm	Width Variation :	-	-
		Radial Runout :	-	-