

ROECO

Bearing Data

Ball Bearing Units

Bearing No. : **KHPP201**

Dimensions

H = 22.2

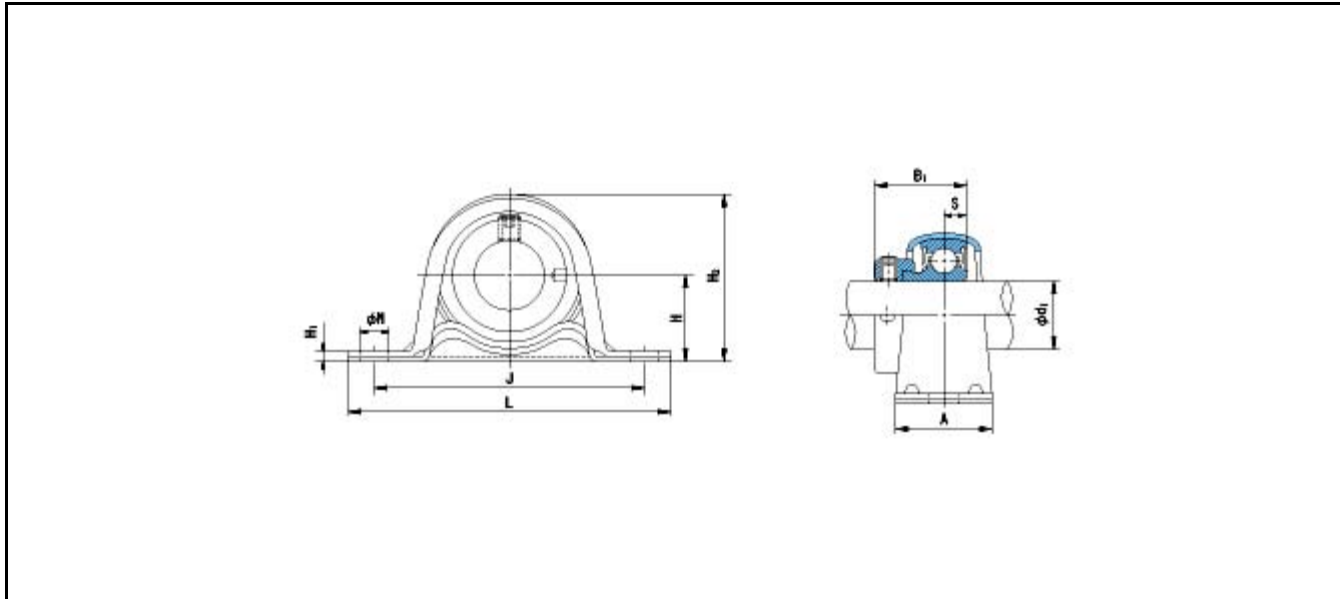
L = 86

J = 68

N = 9.5

H1 = 3.2

H2 = 44



Dimensions

d1 = 12

A = 25

B1 = 28.6

S = 6.5

Mass = 0.18 kg

Basic Dynamic Load Rating Cr :	9550 N		
Basic Static Load Rating Cor :	4800 N		
Limiting Speed ;			
Grease Lubrication :	- rpm		
Oil Lubrication :	- rpm		
		INNER RING	OUTER RING
		O.D.Surface Runout with Side :	-
		Axial Runout with Bore :	-
		Axial Runout with Raceway :	-
		Width Variation :	-
		Radial Runout :	-