

ROECO

# Bearing Data

## Ball Bearing Units

Bearing No. : **KHPFL207**

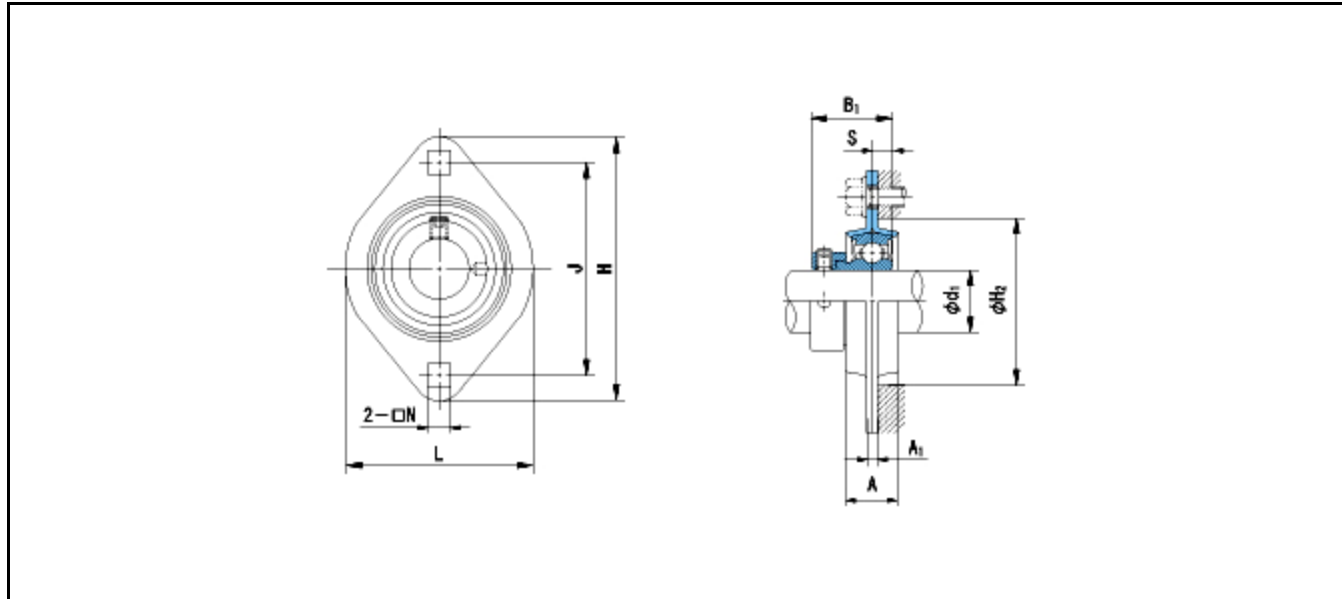
Dimensions

H = 125

L = 94

J = 100

N = 11



Dimensions

d1 = 35

A = 20

A1 = 5.2

H2 = 81

B1 = 38.9

S = 9.5

Mass = 0.81 kg

<b>Basic Dynamic Load Rating Cr :</b>	<b>25900 N</b>			
<b>Basic Static Load Rating Cor :</b>	<b>15400 N</b>	<b>O.D.Surface Runout with Side :</b>		<b>-</b>
<b>Limiting Speed ;</b>		<b>Axial Runout with Bore :</b>		<b>-</b>
<b>Grease Lubrication :</b>	- rpm	<b>Axial Runout with Raceway :</b>		<b>-</b>
<b>Oil Lubrication :</b>	- rpm	<b>Width Variation :</b>		<b>-</b>
		<b>Radial Runout :</b>		<b>-</b>